

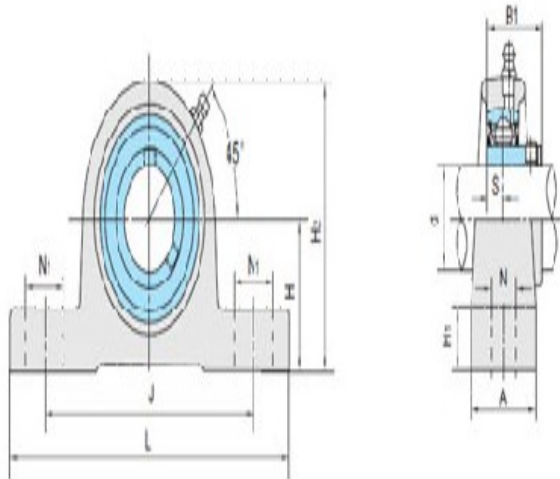
Model: BLP208-25

Shaft Dia.

d (in.):	19/16
d (mm):	

Dimensions(mm)(inch)

H:	2.0000
L:	7.2441
J:	5.5118
A:	1.4567
N:	0.5512
N1:	0.8661
H1:	0.7087
H2:	4.0157
S:	0.3543
B:	1.3386



BLP2

Unit No.

Unit No.:	BLP208-25
-----------	-----------

Bolt Used (mm) (in.)

Bolt Used (mm) (in.):	1/2
-----------------------	-----

Bearing No.

Bearing No.:	SB208-25A
--------------	-----------

Housing No.

Housing No.:	
--------------	--

Weight(kg)(lb)

Weight(kg)(lb):	3.1
-----------------	-----