

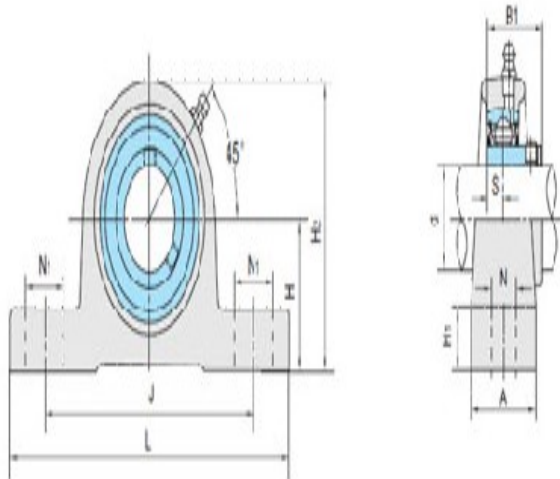
Model: BLP208

Shaft Dia.

d (in.):	
d (mm):	40

Dimensions(mm)(inch)

H:	50.8
L:	184
J:	140
A:	37
N:	14
N1:	22
H1:	18
H2:	102
S:	9.0
B:	34



BLP2

Unit No.

Unit No.:	BLP208
-----------	--------

Bolt Used (mm) (in.)

Bolt Used (mm) (in.):	M12
-----------------------	-----

Bearing No.

Bearing No.:	SB208A
--------------	--------

Housing No.

Housing No.:	LLP208
--------------	--------

Weight(kg)(lb)

Weight(kg)(lb):	1.43
-----------------	------