

Model: BLP207-22

Shaft Dia.

d (in.): 13/8

d (mm):

Dimensions(mm)(inch)

H: 1.8740

L: 6.4961

J: 5.0000

A: 1.3780

N: 0.5512

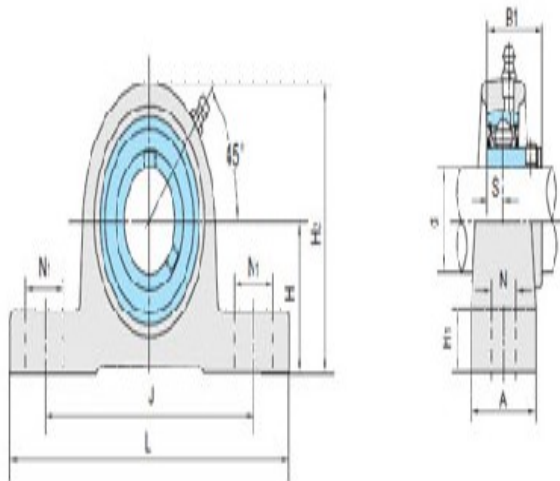
N1: 0.8268

H1: 0.6299

H2: 3.6614

S: 0.3346

B: 1.2598



BLP2

Unit No.

Unit No.: BLP207-22

Bolt Used (mm) (in.)

Bolt Used (mm) (in.): 1/2

Bearing No.

Bearing No.: SB207-22A

Housing No.

Housing No.:

Weight(kg)(lb)

Weight(kg)(lb):