

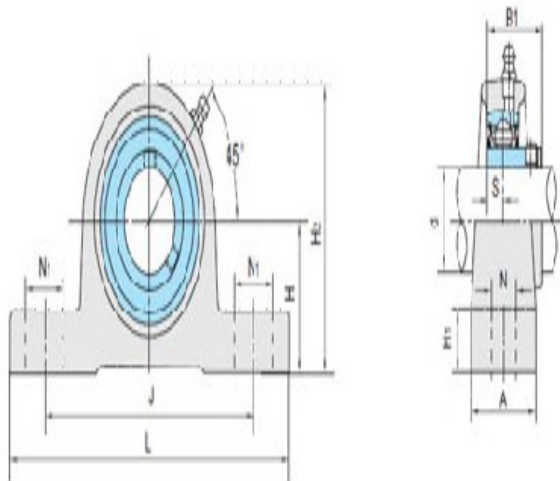
**Model: BLP206-20**

Shaft Dia.

d (in.):	1 1/4
d (mm):	

Dimensions(mm)(inch)

H:	1.6890
L:	6.1417
J:	4.7244
A:	1.2992
N:	0.5512
N1:	0.8268
H1:	0.5512
H2:	3.2677
S:	0.3150
B:	1.1811



BLP2

Unit No.

Unit No.:	BLP206-20
-----------	-----------

Bolt Used (mm) (in.)

Bolt Used (mm) (in.):	1/2
-----------------------	-----

Bearing No.

Bearing No.:	SB206-20A
--------------	-----------

Housing No.

Housing No.:	
--------------	--

Weight(kg)(lb)

Weight(kg)(lb):	
-----------------	--