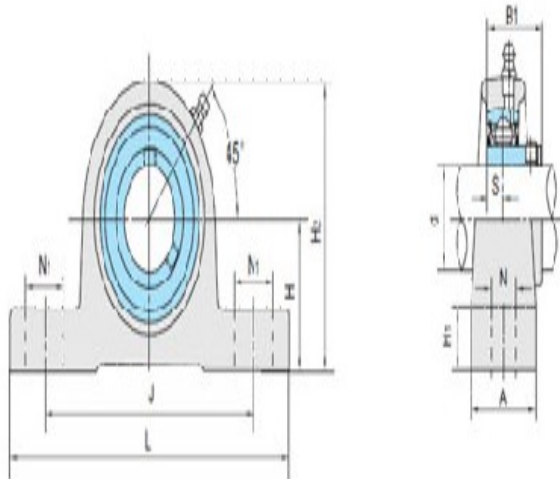


**Model: BLP206-18**



BLP2

**Shaft Dia.**

d (in.):	11/8
d (mm):	

**Dimensions(mm)(inch)**

H:	1.6890
L:	6.1417
J:	4.7244
A:	1.2992
N:	0.5512
N1:	0.8268
H1:	0.5512
H2:	3.2677
S:	0.3150
B:	1.1811

**Unit No.**

Unit No.:	BLP206-18
-----------	-----------

**Bolt Used (mm) (in.)**

Bolt Used (mm) (in.):	1/2
-----------------------	-----

**Bearing No.**

Bearing No.:	SB206-18A
--------------	-----------

**Housing No.**

Housing No.:	
--------------	--

**Weight(kg)(lb)**

Weight(kg)(lb):	2.1
-----------------	-----