

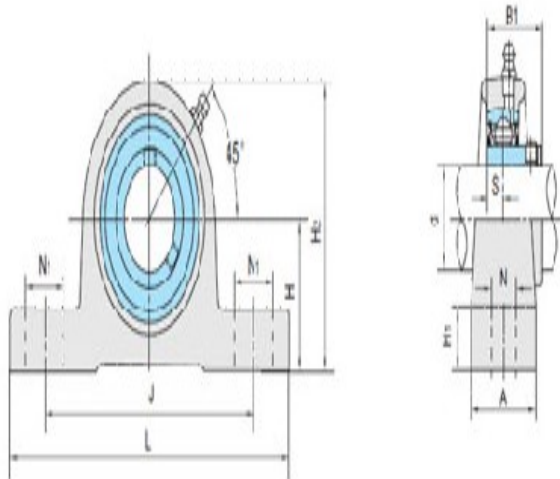
Model: BLP203

Shaft Dia.

d (in.):	
d (mm):	17

Dimensions(mm)(inch)

H:	30.2
L:	114
J:	87
A:	25
N:	11.5
N1:	16
H1:	12
H2:	57
S:	6.0
B:	22



BLP2

Unit No.

Unit No.:	BLP203
-----------	--------

Bolt Used (mm) (in.)

Bolt Used (mm) (in.):	M10
-----------------------	-----

Bearing No.

Bearing No.:	SB203A
--------------	--------

Housing No.

Housing No.:	LLP203
--------------	--------

Weight(kg)(lb)

Weight(kg)(lb):	0.34
-----------------	------