

Model: BLP202-9

Shaft Dia.

d (in.): 9/16

d (mm):

Dimensions(mm)(inch)

H: 1.1890

L: 4.4882

J: 3.4252

A: 0.9842

N: 0.4528

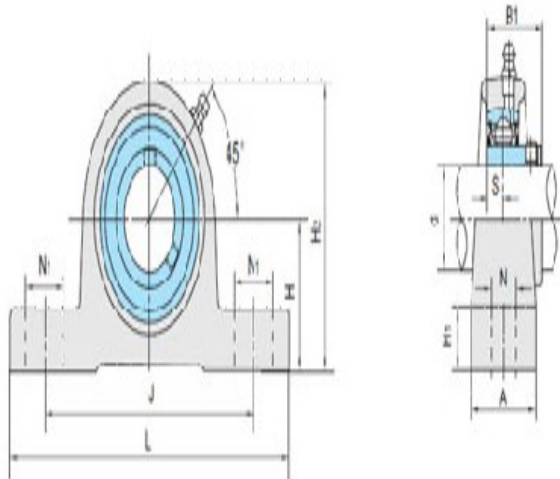
N1: 0.6299

H1: 0.4724

H2: 2.2441

S: 0.2362

B: 0.8661



BLP2

Unit No.

Unit No.: BLP202-9

Bolt Used (mm) (in.)

Bolt Used (mm) (in.): 3/8

Bearing No.

Bearing No.: SB202-9A

Housing No.

Housing No.:

Weight(kg)(lb)

Weight(kg)(lb): 0.8