



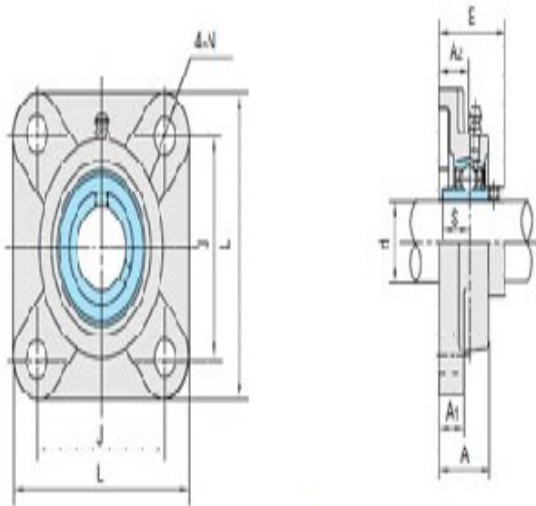
Model: UCF312-38

Shaft Dia.

d (in.):	23/8
d (mm):	

Dimensions(mm)(inch)

L:	7.6772
J:	5.9055
A2:	1.2992
A1:	0.8661
A:	2.2047
N:	0.9055
E:	3.0709
S:	1.0236



UCF3

Unit No.

Unit No.:	UCF312-38
-----------	-----------

Bolt Used (mm) (in.)

Bolt Used (mm) (in.):	3/4
-----------------------	-----

Bearing No.

Bearing No.:	UC312-38
--------------	----------

Housing No.

Housing No.:	
--------------	--

Weight(kg)(lb)

Weight(kg)(lb):	
-----------------	--