



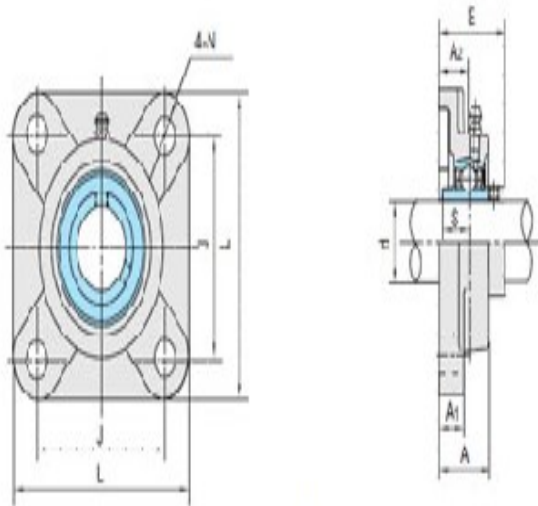
**Model: UCF310-31**

**Shaft Dia.**

d (in.):	115/16
d (mm):	

**Dimensions(mm)(inch)**

L:	6.8898
J:	5.1968
A2:	1.1024
A1:	0.7480
A:	1.8898
N:	0.9055
E:	2.6378
S:	0.8661



UCF3

**Unit No.**

Unit No.:	UCF310-31
-----------	-----------

**Bolt Used (mm) (in.)**

Bolt Used (mm) (in.):	3/4
-----------------------	-----

**Bearing No.**

Bearing No.:	UC310-31
--------------	----------

**Housing No.**

Housing No.:	
--------------	--

**Weight(kg)(lb)**

Weight(kg)(lb):	9.5
-----------------	-----