



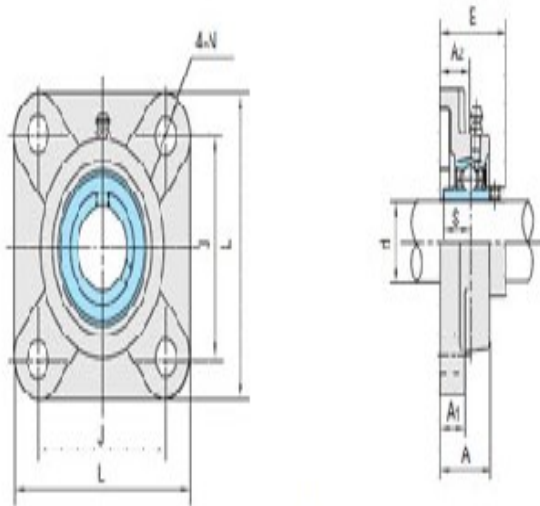
Model: UCF309-27

Shaft Dia.

d (in.):	111/16
d (mm):	

Dimensions(mm)(inch)

L:	6.2992
J:	4.9219
A2:	0.9842
A1:	0.7087
A:	1.7323
N:	0.7480
E:	2.3622
S:	0.8661



UCF3

Unit No.

Unit No.:	UCF309-27
-----------	-----------

Bolt Used (mm) (in.)

Bolt Used (mm) (in.):	5/8
-----------------------	-----

Bearing No.

Bearing No.:	UC309-27
--------------	----------

Housing No.

Housing No.:	
--------------	--

Weight(kg)(lb)

Weight(kg)(lb):	7.1
-----------------	-----