

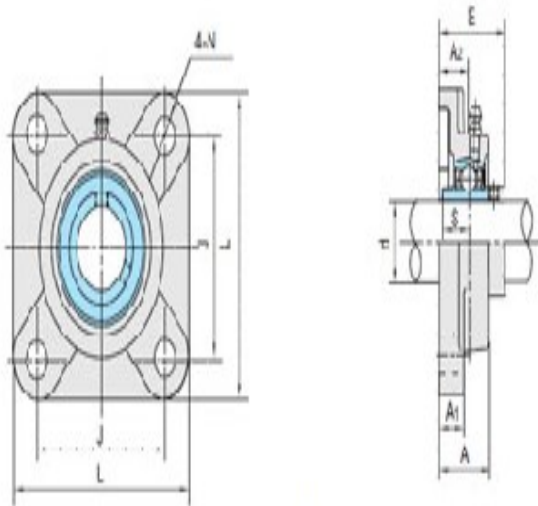
**Model: UCF306-18**

**Shaft Dia.**

d (in.):	11/8
d (mm):	

**Dimensions(mm)(inch)**

L:	4.9212
J:	3.7402
A2:	0.7087
A1:	0.5906
A:	1.2598
N:	0.6299
E:	1.7323
S:	0.6693



UCF3

**Unit No.**

Unit No.:	UCF306-18
-----------	-----------

**Bolt Used (mm) (in.)**

Bolt Used (mm) (in.):	9/16
-----------------------	------

**Bearing No.**

Bearing No.:	UC306-18
--------------	----------

**Housing No.**

Housing No.:	
--------------	--

**Weight(kg)(lb)**

Weight(kg)(lb):	3.4
-----------------	-----