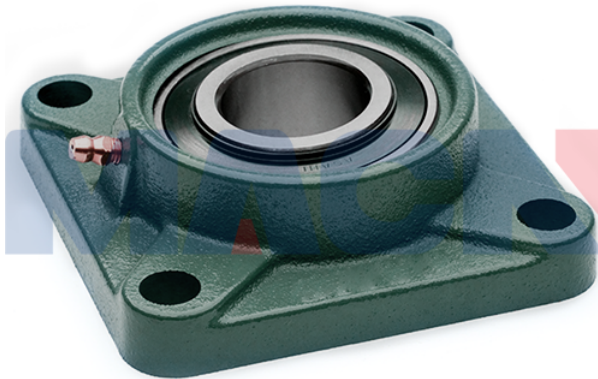


**Model: UKF218+H2318**



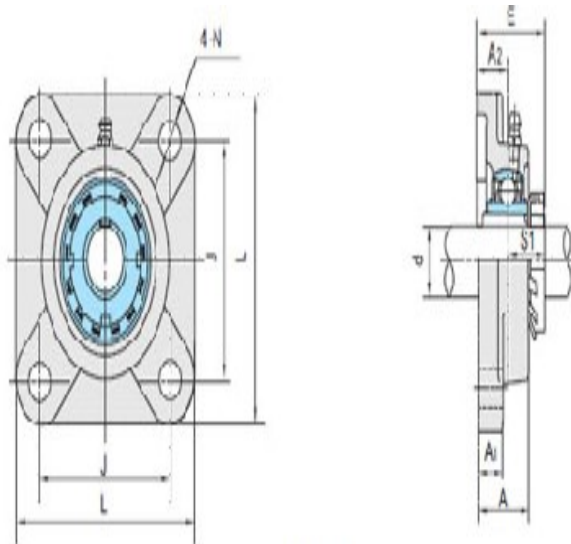
**Shaft Dia.**

d (in.):	
d (mm):	80

**Dimensions(mm)(inch)**

L:	235
J:	187
A2:	40
A1:	24
A:	68
N:	23
E:	82.5
S1:	42.5

Unit No. Unit No. Unit No.



UKF2+H

**Unit No.**

Unit No.:	UKF218+H2318
	8

**Bolt Used (mm) (in.)**

Bolt Used (mm)	M20
(in.):	

**Bearing No.**

Bearing No.:	UK218
--------------	-------

**Housing No.**

Housing No.:	F218
--------------	------

**Adapter Used.**

Adapter Used.:	H2318
----------------	-------

**Weight(kg)(lb)**

Weight(kg)(lb):	11.43
-----------------	-------