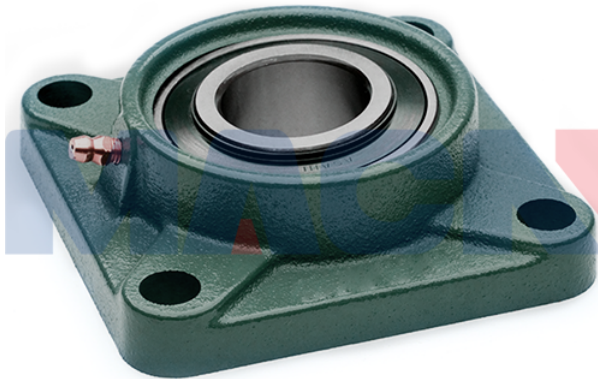


Model: UKF217+HE2317



Shaft Dia.

d (in.): 3

d (mm):

Dimensions(mm)(inch)

L: 8.6614

J: 6.8898

A2: 1.4173

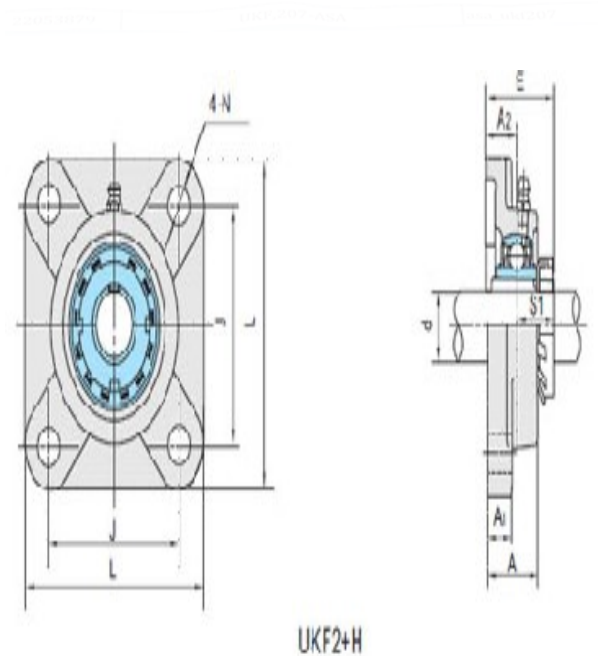
A1: 0.9449

A: 2.4803

N: 0.9055

E: 3.0315

S1: 1.1642



Unit No.

Unit No.: UKF217+HE2317
7

Bolt Used (mm) (in.)

Bolt Used (mm) (in.): 3/4

Bearing No.

Bearing No.:

Housing No.

Housing No.:

Adapter Used.

Adapter Used.: HE2317

Weight(kg)(lb)

Weight(kg)(lb):