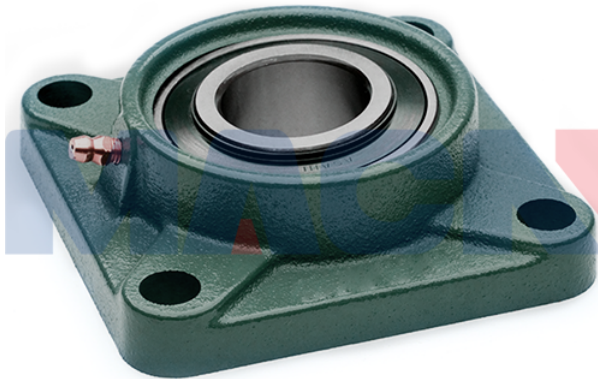


Model: UKF217+HA2317



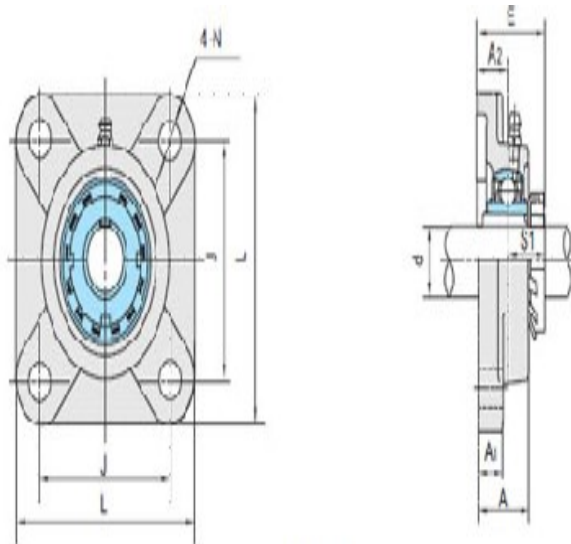
Shaft Dia.

d (in.):	215/16
d (mm):	

Dimensions(mm)(inch)

L:	8.6614
J:	6.8898
A2:	1.4173
A1:	0.9449
A:	2.4803
N:	0.9055
E:	3.0315
S1:	1.1642

Unit No. Unit No. Unit No.



UKF2+H

Unit No.

Unit No.:	UKF217+HA2317
	7

Bolt Used (mm) (in.)

Bolt Used (mm) (in.):	3/4
-----------------------	-----

Bearing No.

Bearing No.:

Housing No.

Housing No.:

Adapter Used.

Adapter Used.: HA2317

Weight(kg)(lb)

Weight(kg)(lb): 21.4