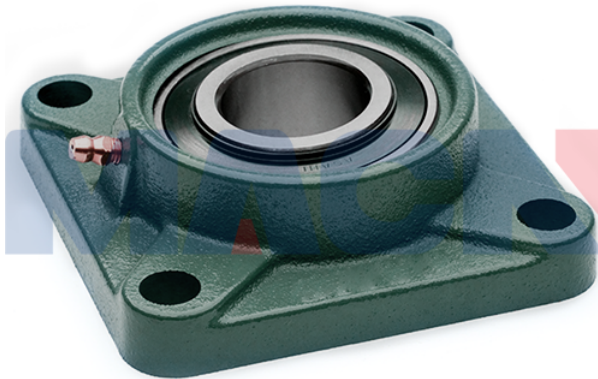


**Model: UKF217+H2317**



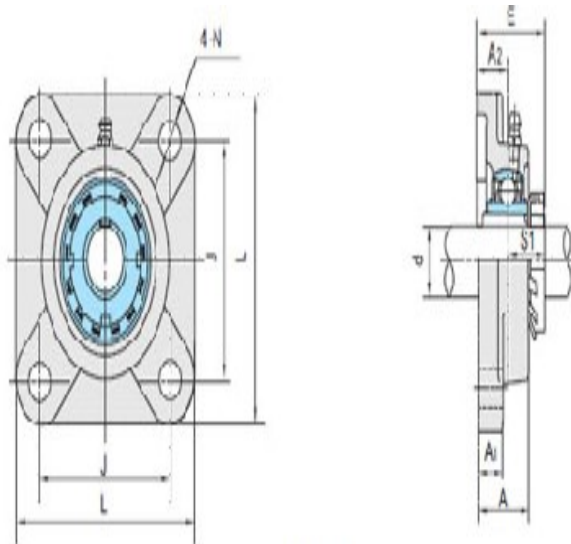
**Shaft Dia.**

d (in.):	
d (mm):	75

**Dimensions(mm)(inch)**

L:	220
J:	175
A2:	36
A1:	24
A:	63
N:	23
E:	77.0
S1:	41.0

Unit No. Unit No. Unit No.



UKF2+H

**Unit No.**

Unit No.:	UKF217+H2317
	7

**Bolt Used (mm) (in.)**

Bolt Used (mm) (in.):	M20
-----------------------	-----

**Bearing No.**

Bearing No.:	UK217
--------------	-------

**Housing No.**

Housing No.:	F217
--------------	------

**Adapter Used.**

Adapter Used.:	H2317
----------------	-------

**Weight(kg)(lb)**

Weight(kg)(lb):	9.73
-----------------	------