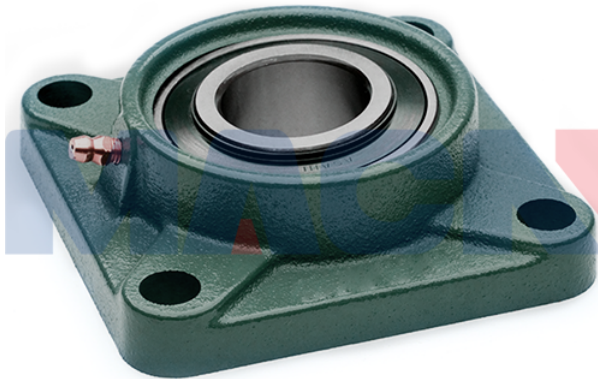


**Model: UKF216+HE2316**



Shaft Dia.

d (in.): 23/4

d (mm):

Dimensions(mm)(inch)

L: 8.1890

J: 6.4961

A2: 1.3386

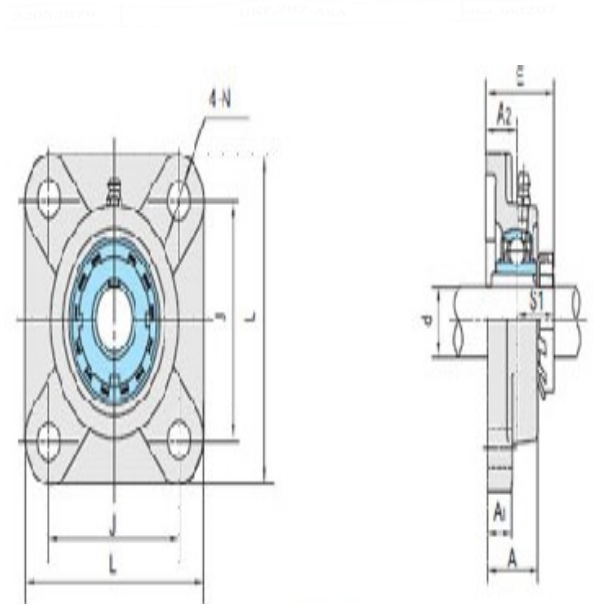
A1: 0.8661

A: 2.2835

N: 0.9055

E: 2.8740

S1: 1.5354



UKF2+H

Unit No.

Unit No.: UKF216+HE2316  
6

Bolt Used (mm) (in.)

Bolt Used (mm) (in.): 3/4

Bearing No.

Bearing No.:

Housing No.

Housing No.:

Adapter Used.

Adapter Used.: HE2316

Weight(kg)(lb)

Weight(kg)(lb):