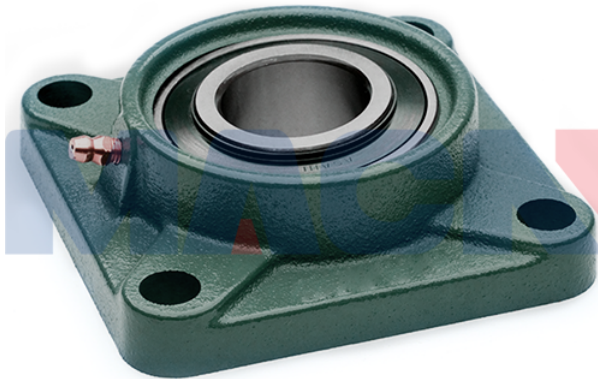


Model: UKF216+HA2316

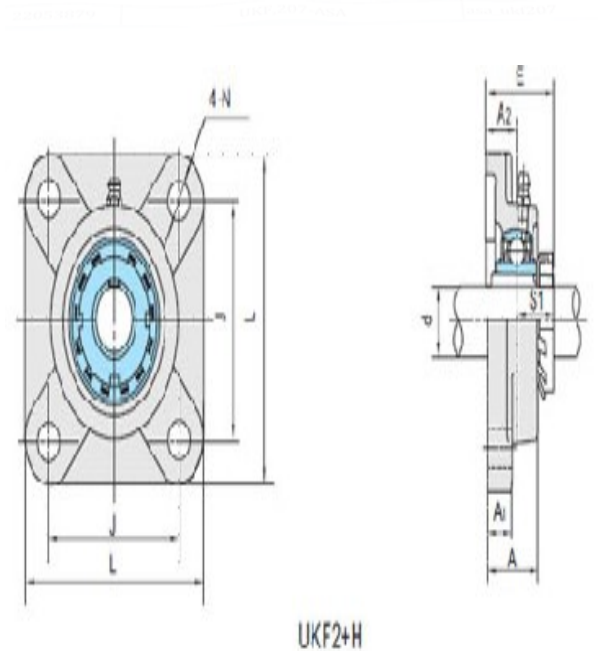


Shaft Dia.

d (in.):	211/16
d (mm):	

Dimensions(mm)(inch)

L:	8.1890
J:	6.4961
A2:	1.3386
A1:	0.8661
A:	2.2835
N:	0.9055
E:	2.8740
S1:	1.5354



Unit No.

Unit No.:	UKF216+HA2316 6
-----------	--------------------

Bolt Used (mm) (in.)

Bolt Used (mm) (in.):	3/4
--------------------------	-----

Bearing No.

Bearing No.:

Housing No.

Housing No.:

Adapter Used.

Adapter Used.: HA2316

Weight(kg)(lb)

Weight(kg)(lb): 18.4