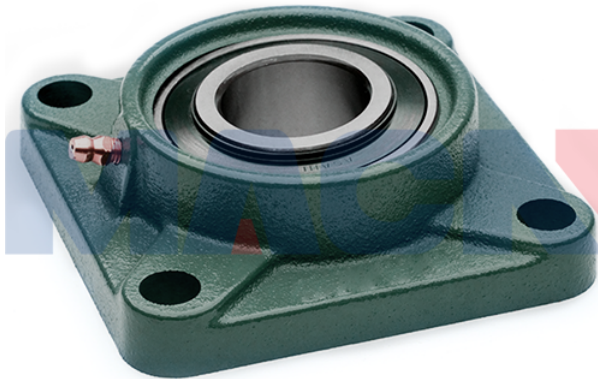


Model: UKF216+H2316

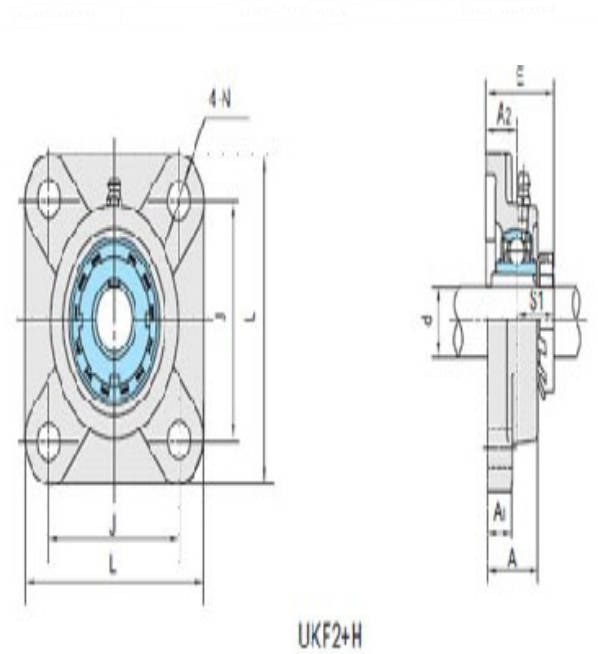


Shaft Dia.

d (in.):	
d (mm):	70

Dimensions(mm)(inch)

L:	208
J:	165
A2:	34
A1:	22
A:	58
N:	23
E:	73.0
S1:	39.0



Unit No.

Unit No.:	UKF216+H2316 6
-----------	-------------------

Bolt Used (mm) (in.)

Bolt Used (mm) (in.):	M20
--------------------------	-----

Bearing No.

Bearing No.:	UK216
--------------	-------

Housing No.

Housing No.:	F216
--------------	------

Adapter Used.

Adapter Used.:	H2316
----------------	-------

Weight(kg)(lb)

Weight(kg)(lb):	8.36
-----------------	------