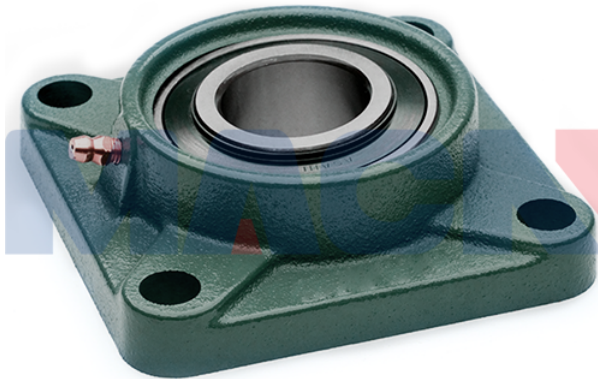


**Model: UKF215+HE2315**



Shaft Dia.

d (in.): 2 1/2

d (mm):

Dimensions(mm)(inch)

L: 7.8740

J: 6.2598

A2: 1.3386

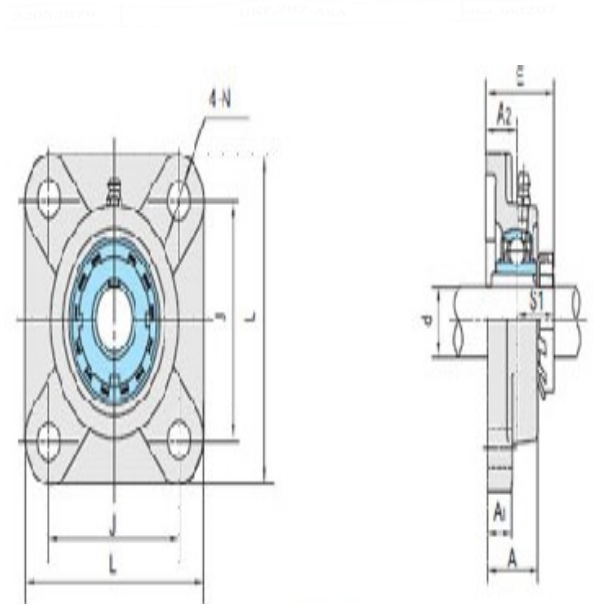
A1: 0.8661

A: 2.2047

N: 0.7489

E: 2.7362

S1: 1.3976



UKF2+H

Unit No.

Unit No.: UKF215+HE2315  
5

Bolt Used (mm) (in.)

Bolt Used (mm) (in.): 5/8

Bearing No.

Bearing No.:

Housing No.

Housing No.:

Adapter Used.

Adapter Used.: HE2315

Weight(kg)(lb)

Weight(kg)(lb):