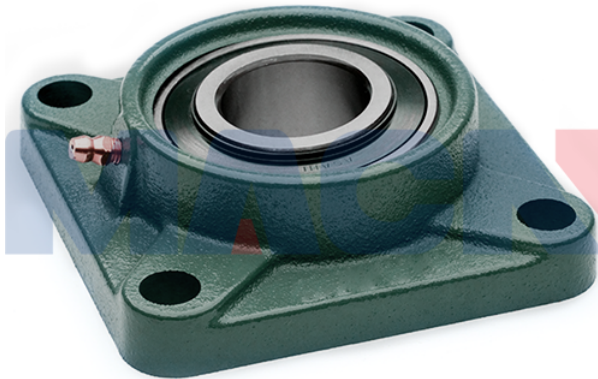


Model: UKF213+HE2313



Shaft Dia.

d (in.): 21/4

d (mm):

Dimensions(mm)(inch)

L: 7.3622

J: 5.8661

A2: 1.1811

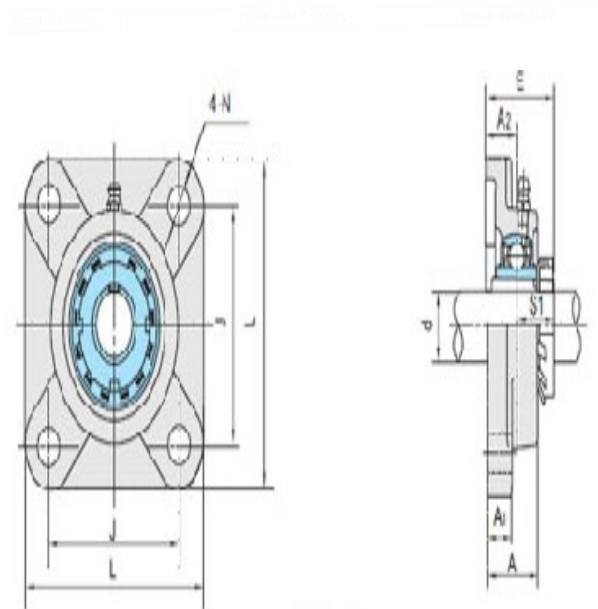
A1: 0.8661

A: 1.9685

N: 0.7481

E: 2.4803

S1: 1.2992



UKF2+H

Unit No.

Unit No.: UKF213+HE231
3

Bolt Used (mm) (in.)

Bolt Used (mm)
(in.): 5/8

Bearing No.

Bearing No.:

Housing No.

Housing No.:

Adapter Used.

Adapter Used.: HE2313

Weight(kg)(lb)

Weight(kg)(lb): 11.9