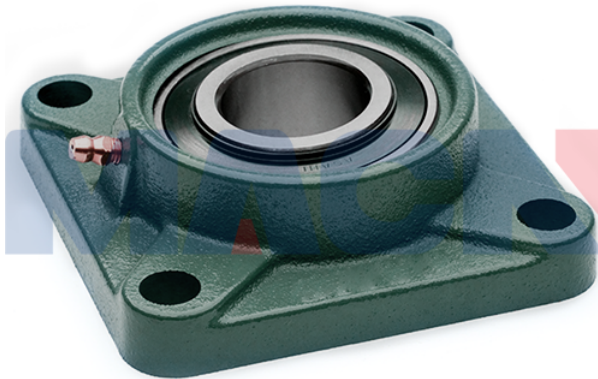


Model: UKF213+HA2313

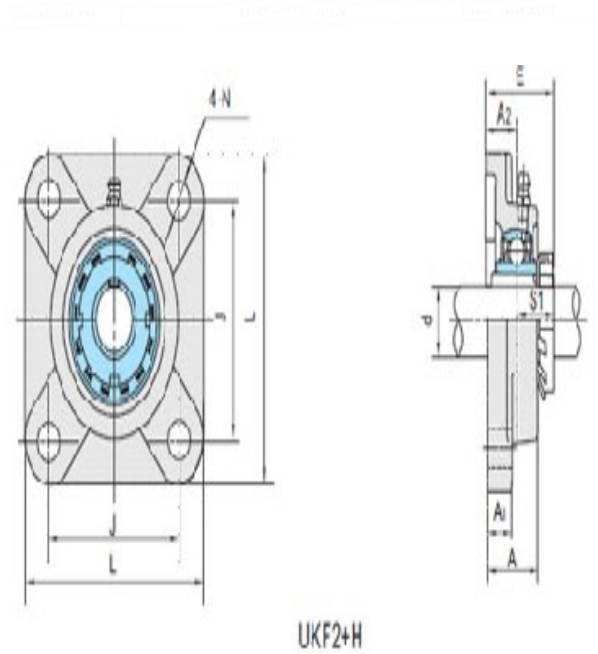


Shaft Dia.

d (in.):	23/16
d (mm):	

Dimensions(mm)(inch)

L:	7.3622
J:	5.8661
A2:	1.1811
A1:	0.8661
A:	1.9685
N:	0.7481
E:	2.4803
S1:	1.2992



Unit No.

Unit No.:	UKF213+HA2313 3
-----------	--------------------

Bolt Used (mm) (in.)

Bolt Used (mm) (in.):	5/8
--------------------------	-----

Bearing No.

Bearing No.:	
--------------	--

Housing No.

Housing No.:	
--------------	--

Adapter Used.

Adapter Used.:	HA2313
----------------	--------

Weight(kg)(lb)

Weight(kg)(lb):	
-----------------	--