

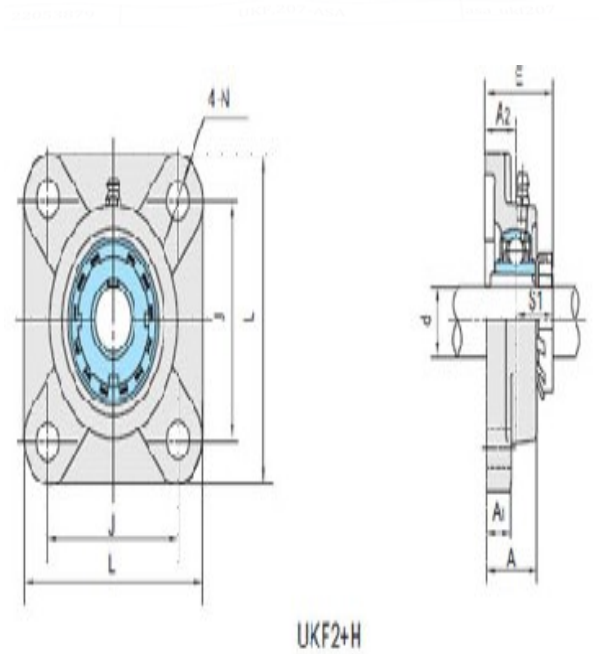
Model: UKF212+HS2312

Shaft Dia.

d (in.):	21/8
d (mm):	

Dimensions(mm)(inch)

L:	6.8898
J:	5.6299
A2:	1.1417
A1:	0.7087
A:	1.8898
N:	0.7480
E:	2.3622
S1:	1.2205



Unit No.

Unit No.:	UKF212+HS2312 2
-----------	--------------------

Bolt Used (mm) (in.)

Bolt Used (mm) (in.):	5/8
--------------------------	-----

Bearing No.

Bearing No.:

Housing No.

Housing No.:

Adapter Used.

Adapter Used.: HS2312

Weight(kg)(lb)

Weight(kg)(lb): 9.2