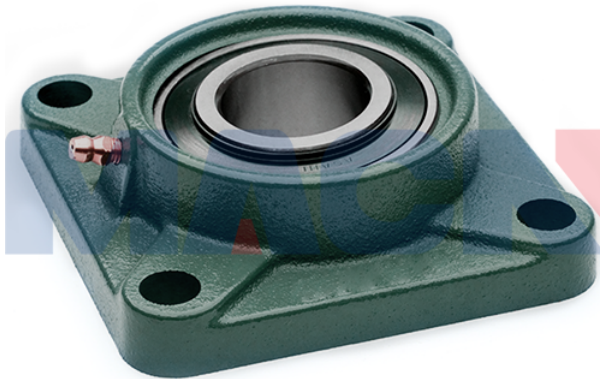


Model: UKF212+H2312

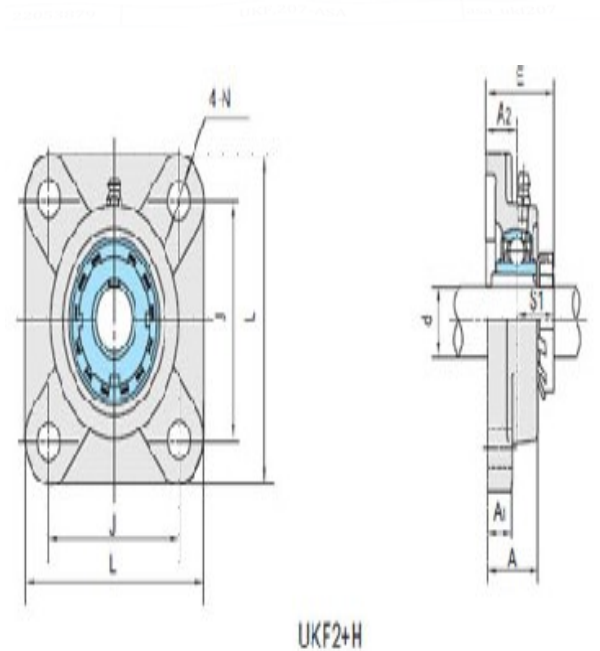


Shaft Dia.

d (in.):	
d (mm):	55

Dimensions(mm)(inch)

L:	175
J:	143
A2:	29
A1:	18
A:	48
N:	19
E:	60.0
S1:	31.0



Unit No.

Unit No.:	UKF212+H2312
	2

Bolt Used (mm) (in.)

Bolt Used (mm)	M16
(in.):	

Bearing No.

Bearing No.:	UK212
--------------	-------

Housing No.

Housing No.:	F212
--------------	------

Adapter Used.

Adapter Used.:	H2312
----------------	-------

Weight(kg)(lb)

Weight(kg)(lb):	4.20
-----------------	------