

**Model: UKF211+HE2311**

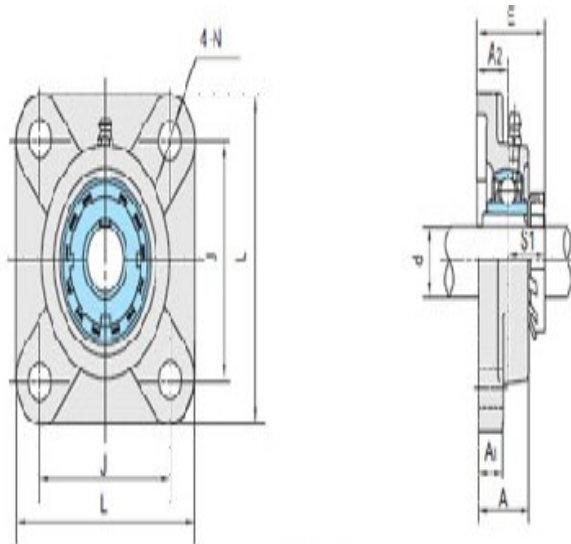
Shaft Dia.

d (in.):	2
d (mm):	

Dimensions(mm)(inch)

L:	6.3780
J:	5.1181
A2:	0.9842
A1:	0.7087
A:	1.6929
N:	0.7481
E:	2.1063
S1:	1.1220

Unit No. Unit No. Unit No.



UKF2+H

Unit No.

Unit No.:	UKF211+HE2311
	1

Bolt Used (mm) (in.)

Bolt Used (mm) (in.):	5/8
-----------------------	-----

Bearing No.

Bearing No.:	
--------------	--

Housing No.

Housing No.:	
--------------	--

Adapter Used.

Adapter Used.:	HE2311
----------------	--------

Weight(kg)(lb)

Weight(kg)(lb):	
-----------------	--