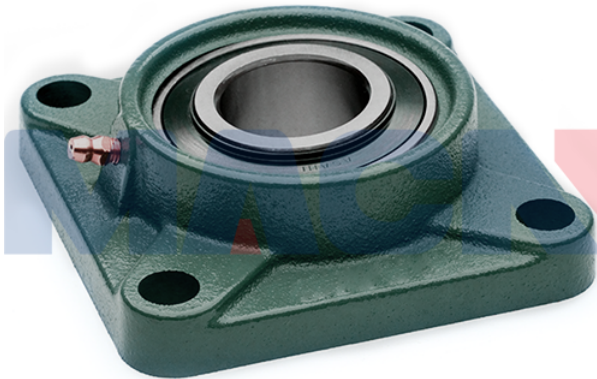


Model: UKF211+HA2311

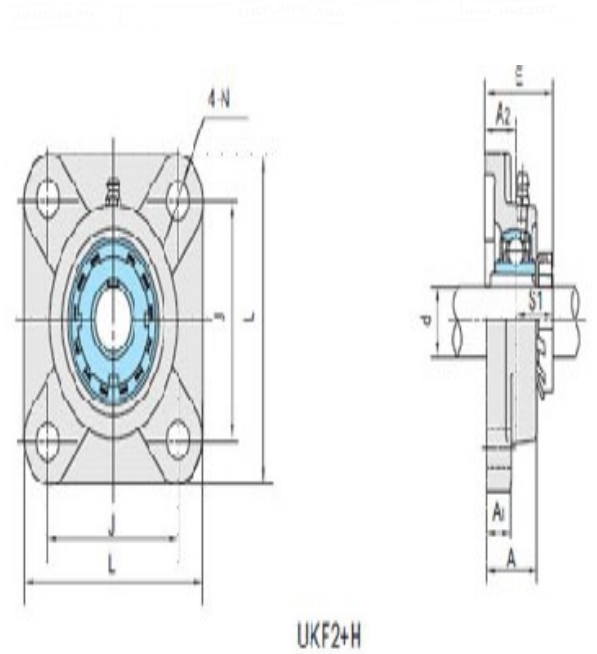


Shaft Dia.

| | |
|----------|--------|
| d (in.): | 115/16 |
| d (mm): | |

Dimensions(mm)(inch)

| | |
|-----|--------|
| L: | 6.3780 |
| J: | 5.1181 |
| A2: | 0.9842 |
| A1: | 0.7087 |
| A: | 1.6929 |
| N: | 0.7481 |
| E: | 2.1063 |
| S1: | 1.1220 |



Unit No.

| | |
|-----------|--------------------|
| Unit No.: | UKF211+HA2311 1 |
|-----------|--------------------|

Bolt Used (mm) (in.)

| | |
|--------------------------|-----|
| Bolt Used (mm) (in.): | 5/8 |
|--------------------------|-----|

Bearing No.

Bearing No.:

Housing No.

Housing No.:

Adapter Used.

Adapter Used.: HA2311

Weight(kg)(lb)

Weight(kg)(lb): 7.8