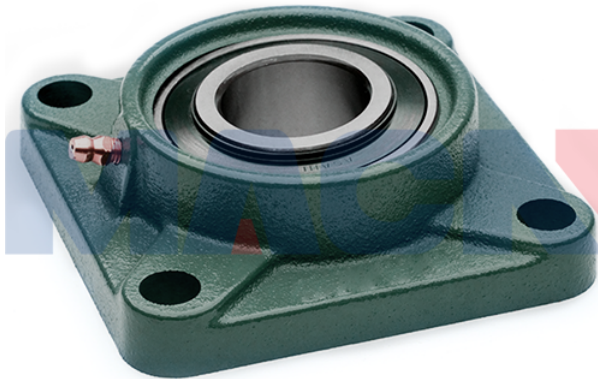


Model: UKF211+H2311



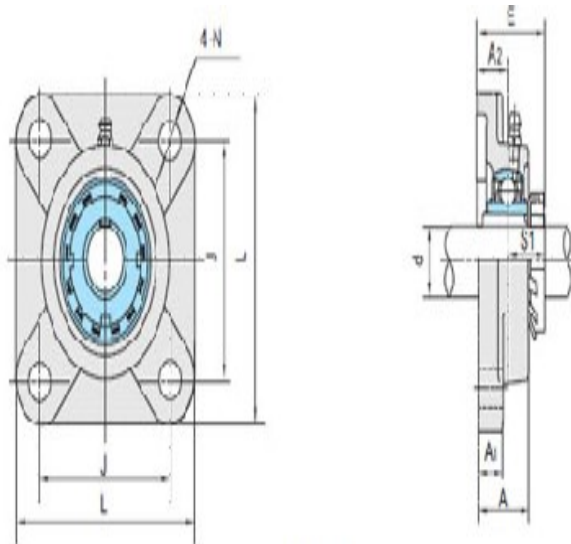
Shaft Dia.

d (in.):	
d (mm):	50

Dimensions(mm)(inch)

L:	162
J:	130
A2:	25
A1:	18
A:	43
N:	19
E:	53.5
S1:	28.5

Unit No. Unit No. Unit No.



UKF2+H

Unit No.

Unit No.:	UKF211+H2311
	1

Bolt Used (mm) (in.)

Bolt Used (mm) (in.):	M16
-----------------------	-----

Bearing No.

Bearing No.:	UK211
--------------	-------

Housing No.

Housing No.:	F211
--------------	------

Adapter Used.

Adapter Used.:	H2311
----------------	-------

Weight(kg)(lb)

Weight(kg)(lb):	3.53
-----------------	------