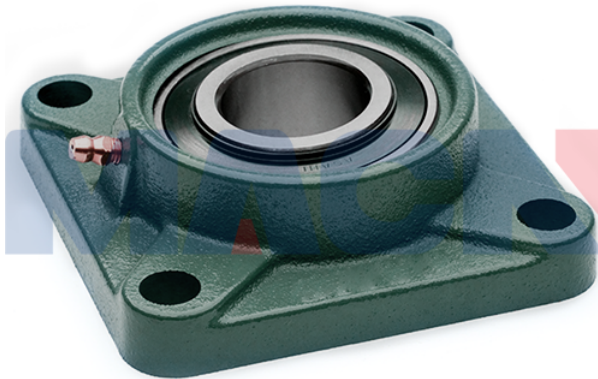


**Model: UKF210+HA2310**

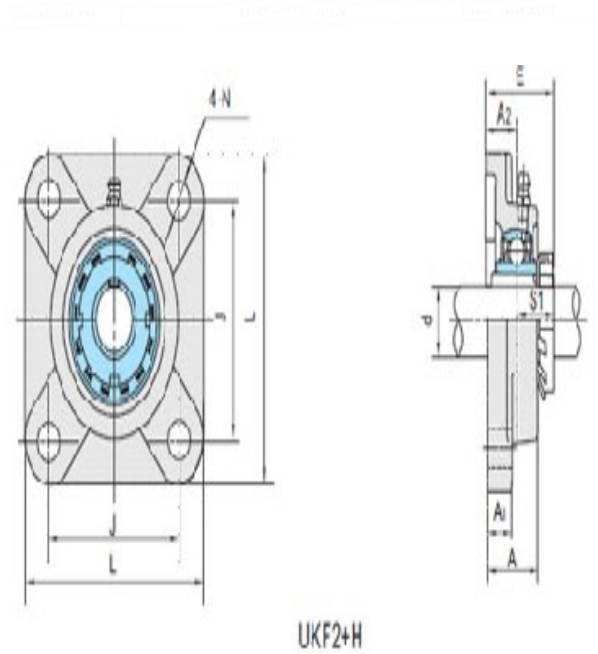


Shaft Dia.

d (in.):	111/16
d (mm):	

Dimensions(mm)(inch)

L:	5.6299
J:	4.3701
A2:	0.8661
A1:	0.6299
A:	1.5748
N:	0.6299
E:	1.9488
S1:	1.0827



Unit No.

Unit No.:	UKF210+HA2310 0
-----------	--------------------

Bolt Used (mm) (in.)

Bolt Used (mm) (in.):	9/16
--------------------------	------

Bearing No.

Bearing No.:	
--------------	--

Housing No.

Housing No.:	
--------------	--

Adapter Used.

Adapter Used.:	HA2310
----------------	--------

Weight(kg)(lb)

Weight(kg)(lb):	5.7
-----------------	-----