

Model: UKF209+HE2309

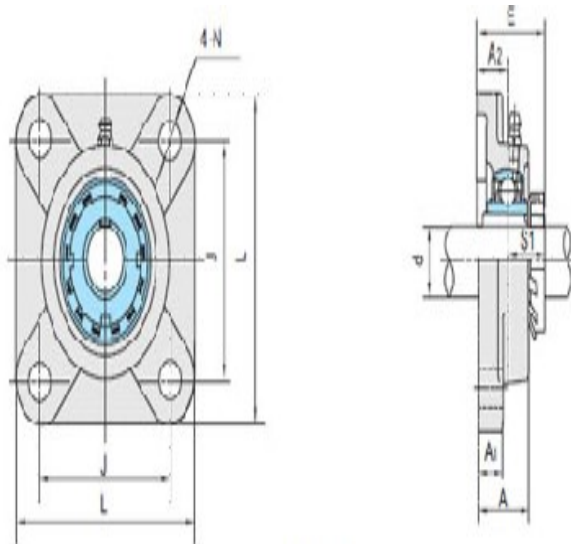
Shaft Dia.

d (in.):	1 1/2
d (mm):	

Dimensions(mm)(inch)

L:	5.3937
J:	4.1338
A2:	0.8661
A1:	0.6299
A:	1.4961
N:	0.6299
E:	1.8898
S1:	1.0236

Unit No. Unit No. Unit No.



UKF2+H

Unit No.

Unit No.:	UKF209+HE2309
-----------	---------------

Bolt Used (mm) (in.)

Bolt Used (mm) (in.):	9/16
-----------------------	------

Bearing No.

Bearing No.:

Housing No.

Housing No.:

Adapter Used.

Adapter Used.: HE2309

Weight(kg)(lb)

Weight(kg)(lb): 4.9