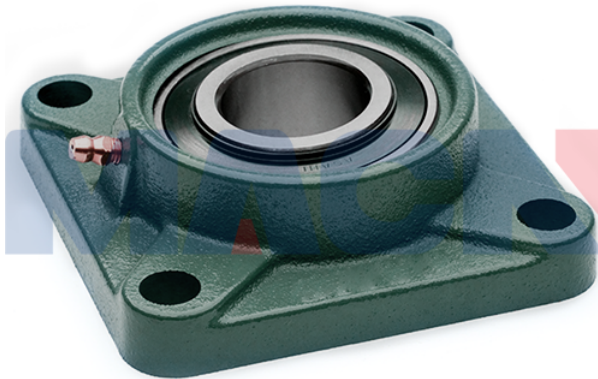


Model: UKF208+HS2308



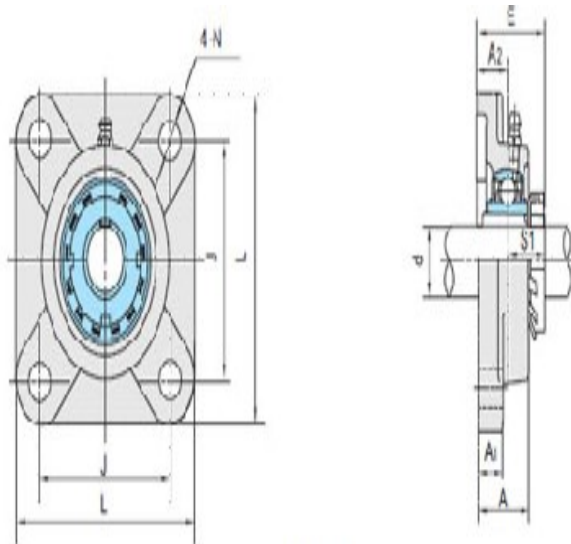
Shaft Dia.

d (in.):	13/8
d (mm):	

Dimensions(mm)(inch)

L:	5.1181
J:	4.0157
A2:	0.8268
A1:	0.5906
A:	1.4173
N:	0.6299
E:	1.7913
S1:	0.9646

Unit No. Unit No. Unit No.



UKF2+H

Unit No.

Unit No.:	UKF208+HS2308
	8

Bolt Used (mm) (in.)

Bolt Used (mm) (in.):	9/16
-----------------------	------

Bearing No.

Bearing No.:

Housing No.

Housing No.:

Adapter Used.

Adapter Used.:	HS2308
----------------	--------

Weight(kg)(lb)

Weight(kg)(lb):