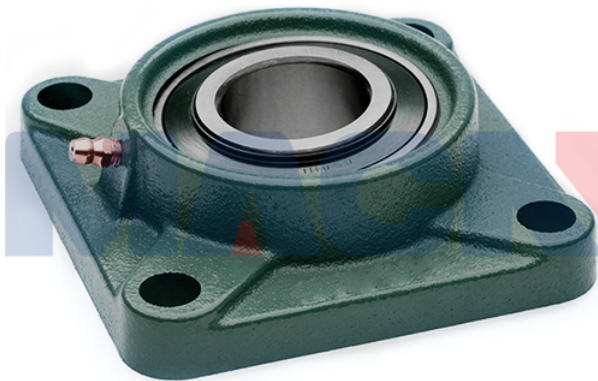


Model: UKF208+HE2308



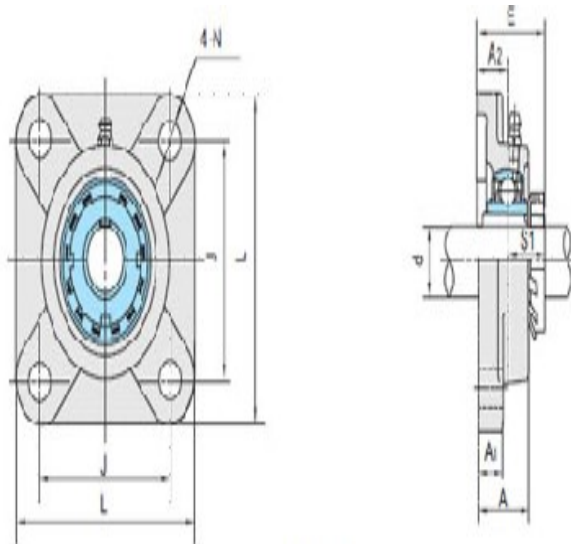
Shaft Dia.

d (in.):	1 1/4
d (mm):	

Dimensions(mm)(inch)

L:	5.1181
J:	4.0157
A2:	0.8268
A1:	0.5906
A:	1.4173
N:	0.6299
E:	1.7913
S1:	0.9646

Unit No. Unit No. Unit No.



UKF2+H

Unit No.

Unit No.:	UKF208+HE2308
	8

Bolt Used (mm) (in.)

Bolt Used (mm) (in.):	9/16
-----------------------	------

Bearing No.

Bearing No.:	
--------------	--

Housing No.

Housing No.:	
--------------	--

Adapter Used.

Adapter Used.:	HE2308
----------------	--------

Weight(kg)(lb)

Weight(kg)(lb):	4.2
-----------------	-----