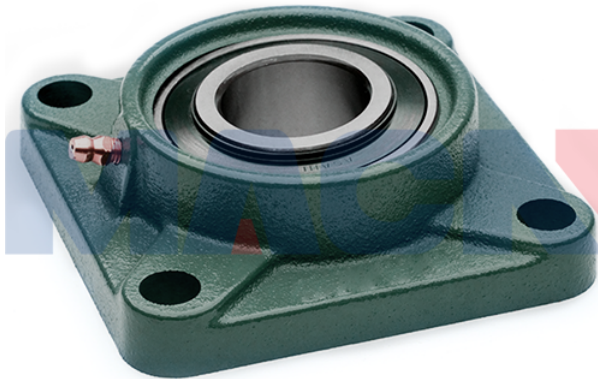


Model: UKF207+HA2307



Shaft Dia.

d (in.): 13/16

d (mm):

Dimensions(mm)(inch)

L: 4.6063

J: 3.6620

A2: 0.7480

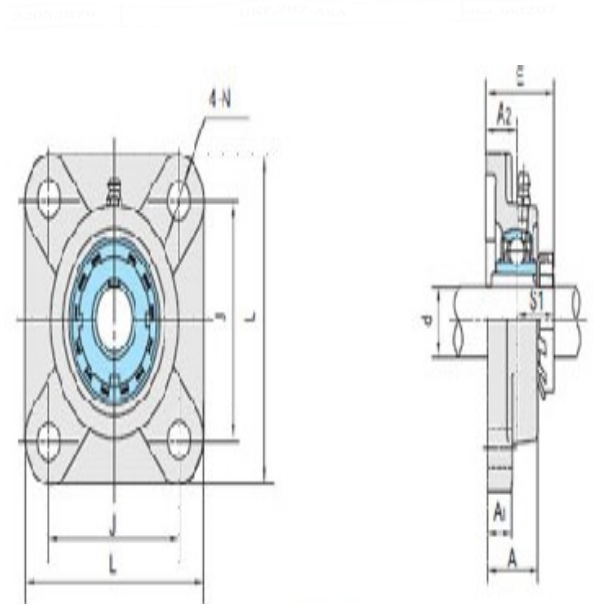
A1: 0.5906

A: 1.3386

N: 0.5512

E: 1.6338

S1: 0.8858



UKF2+H

Unit No.

Unit No.: UKF207+HA2307
7

Bolt Used (mm) (in.)

Bolt Used (mm) (in.): 1/2

Bearing No.

Bearing No.:

Housing No.

Housing No.:

Adapter Used.

Adapter Used.: HA2307

Weight(kg)(lb)

Weight(kg)(lb):