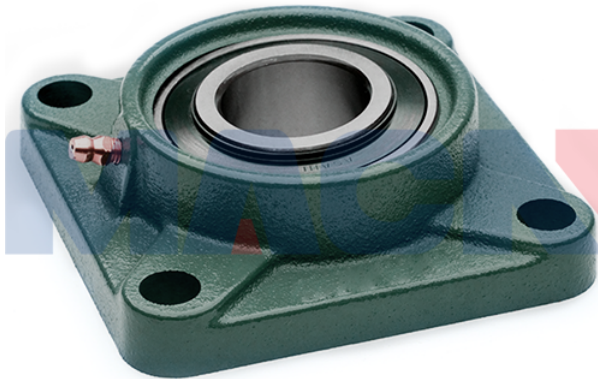


**Model: UKF207+HS2307**



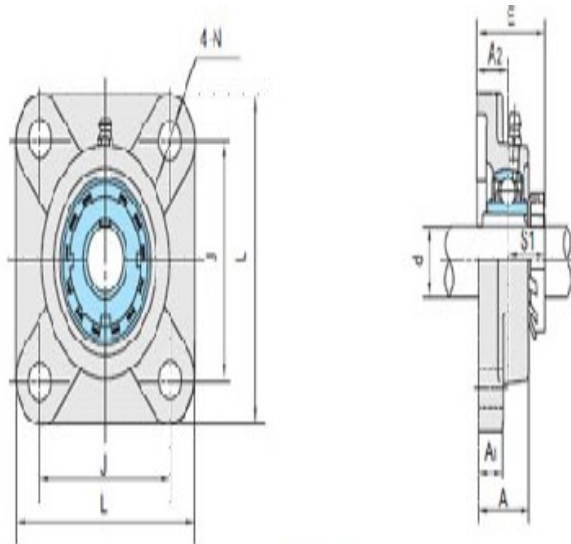
Shaft Dia.

d (in.):	11/8
d (mm):	

Dimensions(mm)(inch)

L:	4.6063
J:	3.6620
A2:	0.7480
A1:	0.5906
A:	1.3386
N:	0.5512
E:	1.6338
S1:	0.8858

Unit No. Unit No. Unit No.



UKF2+H

Unit No.

Unit No.:	UKF207+HS2307
	7

Bolt Used (mm) (in.)

Bolt Used (mm) (in.):	1/2
-----------------------	-----

Bearing No.

Bearing No.:	
--------------	--

Housing No.

Housing No.:	
--------------	--

Adapter Used.

Adapter Used.:	HS2307
----------------	--------

Weight(kg)(lb)

Weight(kg)(lb):	3.3
-----------------	-----