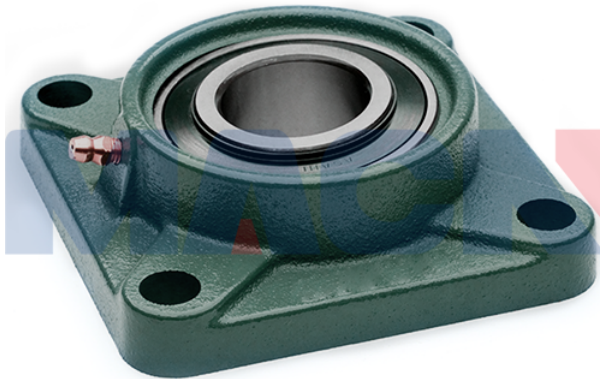


Model: UKF207+H2307



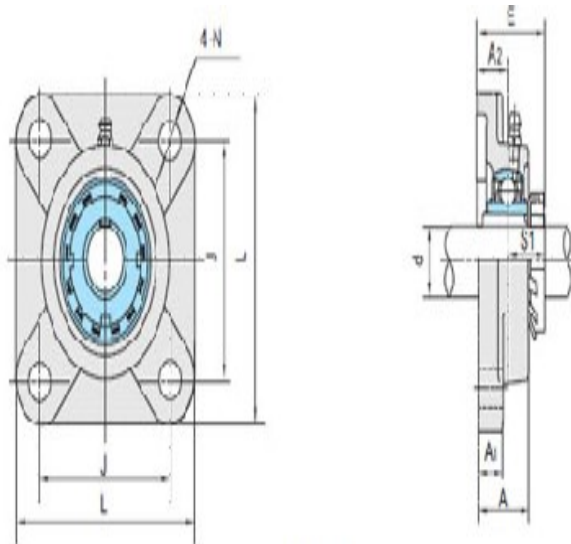
Shaft Dia.

| | |
|----------|----|
| d (in.): | |
| d (mm): | 30 |

Dimensions(mm)(inch)

| | |
|-----|------|
| L: | 117 |
| J: | 92 |
| A2: | 19 |
| A1: | 15 |
| A: | 34 |
| N: | 14 |
| E: | 41.5 |
| S1: | 22.5 |

Unit No. Unit No. Unit No.



UKF2+H

Unit No.

| | |
|-----------|--------------|
| Unit No.: | UKF207+H2307 |
|-----------|--------------|

Bolt Used (mm) (in.)

| | |
|-----------------------|-----|
| Bolt Used (mm) (in.): | M12 |
|-----------------------|-----|

Bearing No.

| | |
|--------------|-------|
| Bearing No.: | UK207 |
|--------------|-------|

Housing No.

| | |
|--------------|------|
| Housing No.: | F207 |
|--------------|------|

Adapter Used.

| | |
|----------------|-------|
| Adapter Used.: | H2307 |
|----------------|-------|

Weight(kg)(lb)

| | |
|-----------------|------|
| Weight(kg)(lb): | 1.48 |
|-----------------|------|