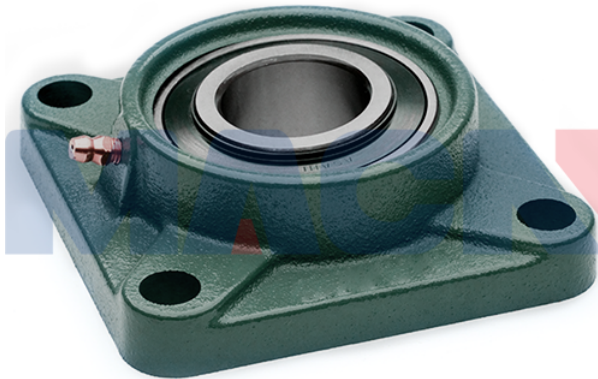


**Model: UKF206+HA2306**

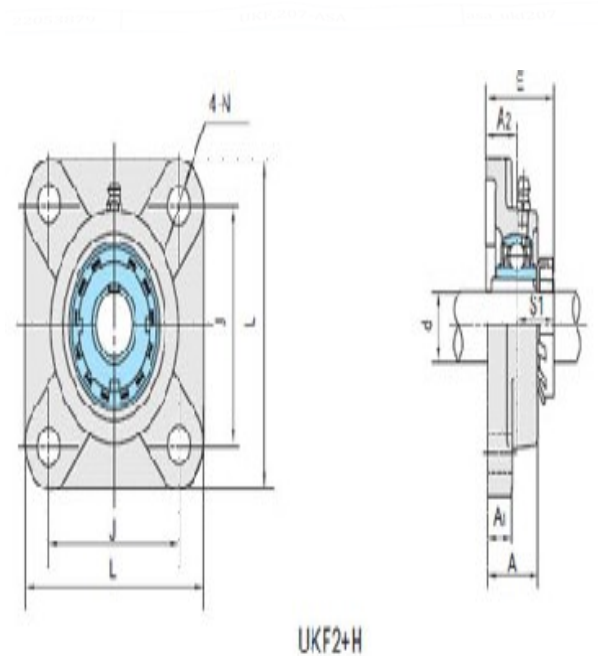


**Shaft Dia.**

d (in.):	15/16
d (mm):	

**Dimensions(mm)(inch)**

L:	4.2520
J:	3.2677
A2:	0.7087
A1:	0.5118
A:	1.2205
N:	0.4724
E:	1.5354
S1:	0.8268



**Unit No.**

Unit No.:	UKF206+HA2306
	6

**Bolt Used (mm) (in.)**

Bolt Used (mm)	
(in.):	3/8

**Bearing No.**

Bearing No.:

**Housing No.**

Housing No.:

**Adapter Used.**

Adapter Used.: HA2306

**Weight(kg)(lb)**

Weight(kg)(lb): 2.6