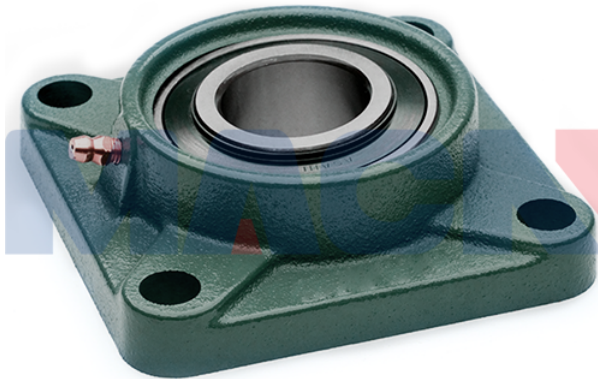


Model: UKF205+H2305



Shaft Dia.

d (in.):

d (mm):

Dimensions(mm)(inch)

L:

J:

A2:

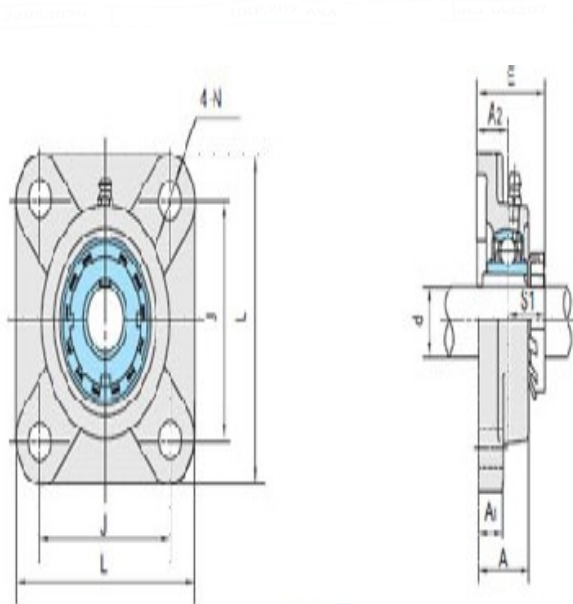
A1:

A:

N:

E:

S1:



UKF2+H

Unit No.

Unit No.:

Bolt Used (mm) (in.)

Bolt Used (mm) (in.):

Bearing No.

Bearing No.:

Housing No.

Housing No.:

Adapter Used.

Adapter Used.:

Weight(kg)(lb)

Weight(kg)(lb):