

Model: UCFL218

Shaft Dia.

d (in.):	
d (mm):	90

Dimensions(mm)(inch)

H:	320
J:	265
L:	205
A2:	40
A1:	24
A:	68
N:	25
E:	96.3
S:	39.7

Unit No.

Unit No.:	UCFL218
-----------	---------

Bolt Used (mm) (in.)

Bolt Used (mm) (in.):	M22
-----------------------	-----

Bearing No.

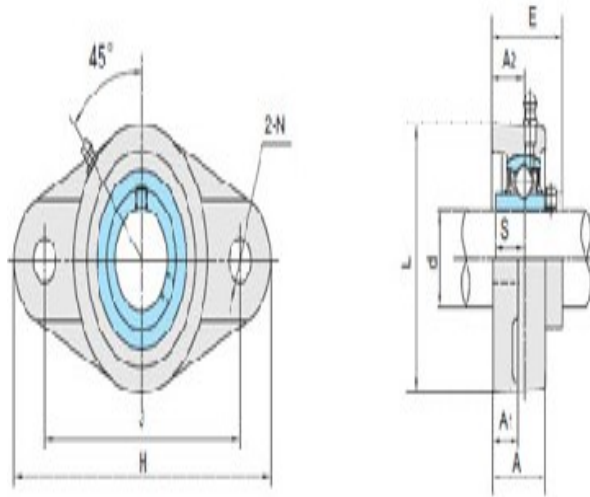
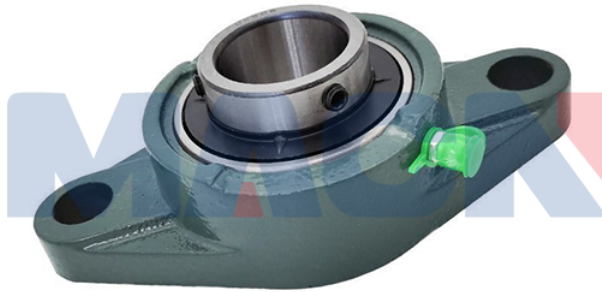
Bearing No.:	UC218
--------------	-------

Housing No.

Housing No.:	FL218
--------------	-------

Weight(kg)(lb)

Weight(kg)(lb):	10.95
-----------------	-------



UCFL2