

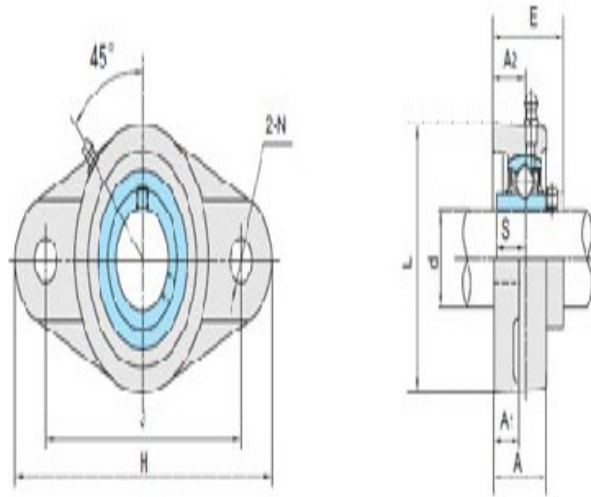
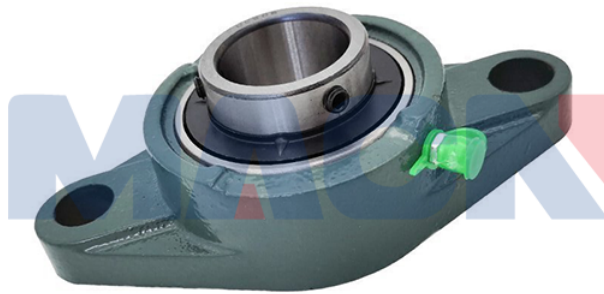
Model: UCFL217

Shaft Dia.

d (in.):	
d (mm):	85

Dimensions(mm)(inch)

H:	305
J:	248
L:	190
A2:	36
A1:	24
A:	63
N:	25
E:	87.6
S:	34.4



UCFL2

Unit No.

Unit No.:	UCFL217
-----------	---------

Bolt Used (mm) (in.)

Bolt Used (mm) (in.):	M22
-----------------------	-----

Bearing No.

Bearing No.:	UC217
--------------	-------

Housing No.

Housing No.:	FL217
--------------	-------

Weight(kg)(lb)

Weight(kg)(lb):	9.15
-----------------	------