

Model: UCFL216-50

Shaft Dia.

d (in.):

d (mm):

Dimensions(mm)(inch)

H:	11.417
J:	9.1732
L:	7.0866
A2:	1.3386
A1:	0.8661
A:	2.2835
N:	0.9842
E:	3.2795
S:	1.3110

Unit No.

Unit No.: UCFL216-50

Bolt Used (mm) (in.)

Bolt Used (mm) (in.): 7/8

Bearing No.

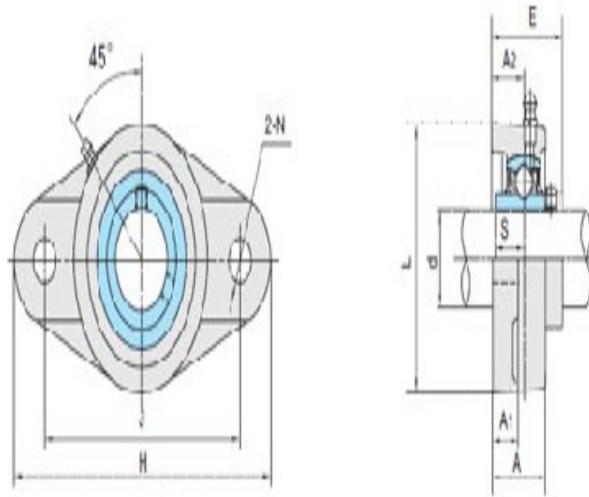
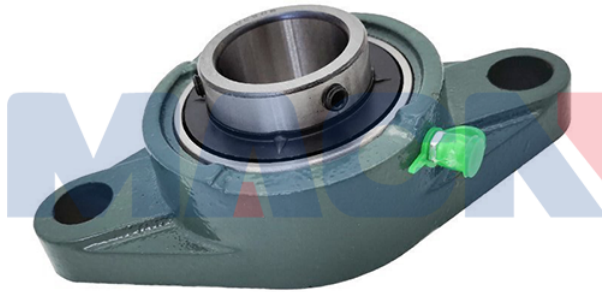
Bearing No.: UC216-50

Housing No.

Housing No.:

Weight(kg)(lb)

Weight(kg)(lb): 16.9



UCFL2