

**Model: UCFL216**

Shaft Dia.

d (in.):	
d (mm):	80

Dimensions(mm)(inch)

H:	290
J:	233
L:	180
A2:	34
A1:	22
A:	58
N:	25
E:	83.3
S:	33.3

Unit No.

Unit No.:	UCFL216
-----------	---------

Bolt Used (mm) (in.)

Bolt Used (mm) (in.):	M22
-----------------------	-----

Bearing No.

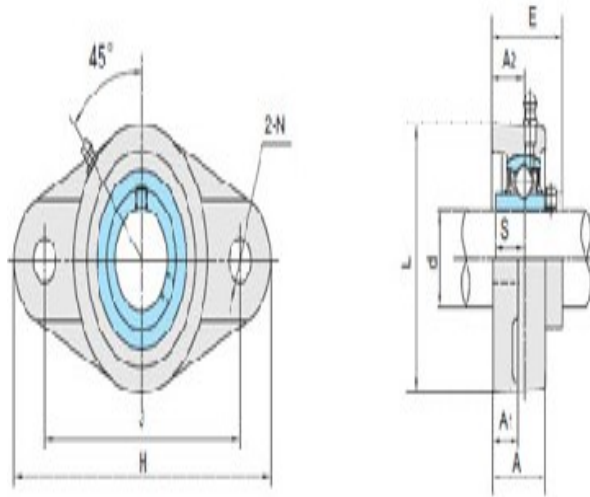
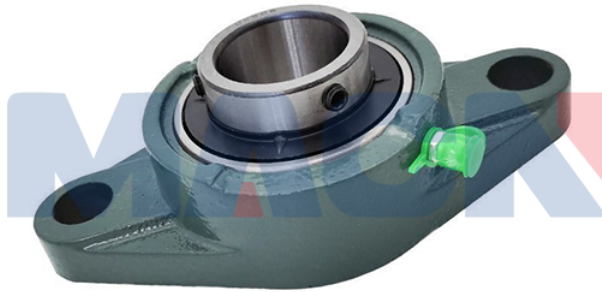
Bearing No.:	UC216
--------------	-------

Housing No.

Housing No.:	FL216
--------------	-------

Weight(kg)(lb)

Weight(kg)(lb):	7.69
-----------------	------



UCFL2