

**Model: UCFL214-44**

Shaft Dia.

d (in.): 23/4

d (mm):

Dimensions(mm)(inch)

H: 10.433

J: 8.5039

L: 6.2992

A2: 1.2205

A1: 0.8661

A: 2.1260

N: 0.9055

E: 2.9685

S: 1.1890

Unit No.

Unit No.: UCFL214-44

Bolt Used (mm) (in.)

Bolt Used (mm) (in.): 3/4

Bearing No.

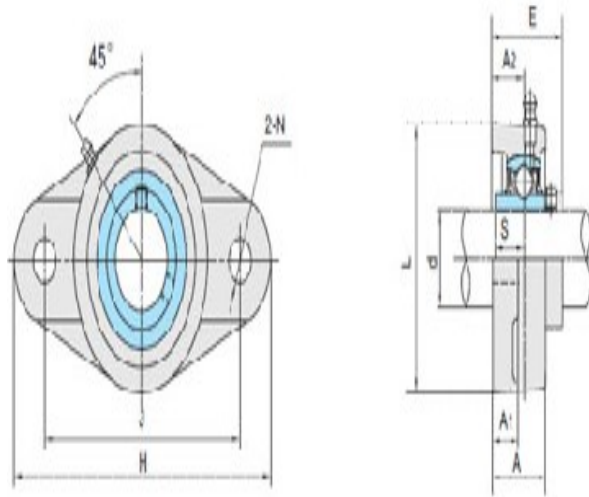
Bearing No.: UC214-44

Housing No.

Housing No.:

Weight(kg)(lb)

Weight(kg)(lb): 12.3



UCFL2