

Model: UCFL213-40

Shaft Dia.

d (in.): 2 1/2

d (mm):

Dimensions(mm)(inch)

H: 10.157

J: 8.2677

L: 6.1024

A2: 1.1811

A1: 0.8661

A: 1.9685

N: 0.9055

E: 2.7441

S: 1.0000

Unit No.

Unit No.: UCFL213-40

Bolt Used (mm) (in.)

Bolt Used (mm) (in.): 3/4

Bearing No.

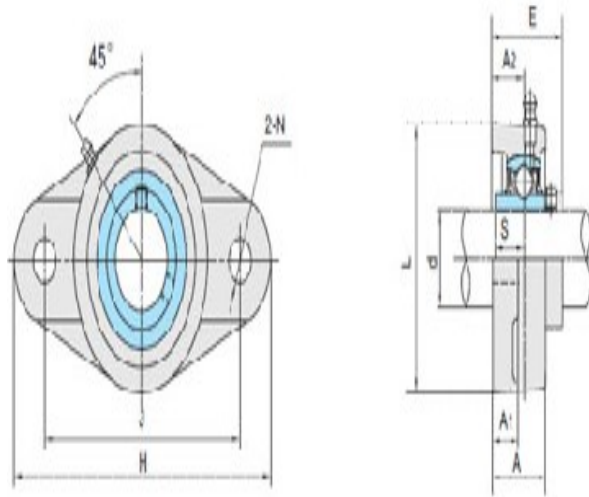
Bearing No.: UC213-40

Housing No.

Housing No.:

Weight(kg)(lb)

Weight(kg)(lb): 10.9



UCFL2