

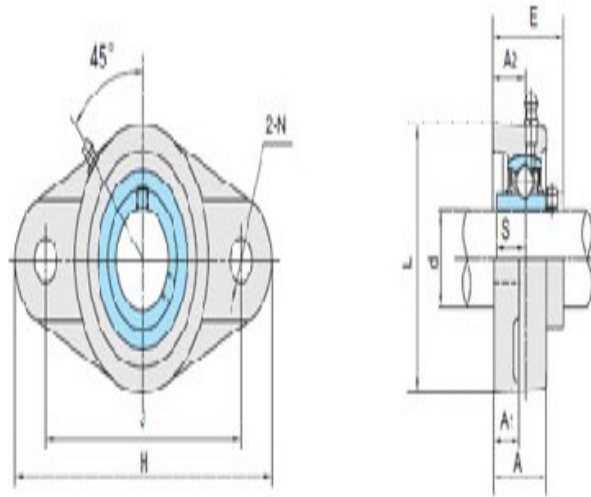
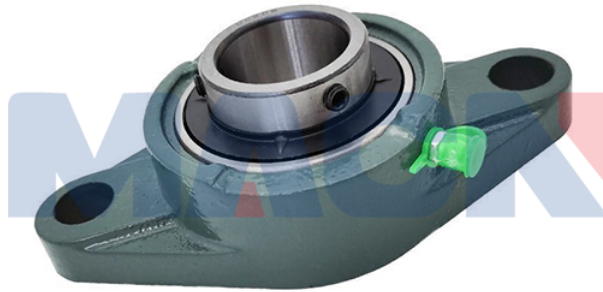
**Model: UCFL213**

Shaft Dia.

d (in.):	
d (mm):	65

Dimensions(mm)(inch)

H:	258
J:	210
L:	155
A2:	30
A1:	22
A:	50
N:	23
E:	69.7
S:	25.4



UCFL2

Unit No.

Unit No.:	UCFL213
-----------	---------

Bolt Used (mm) (in.)

Bolt Used (mm) (in.):	M20
-----------------------	-----

Bearing No.

Bearing No.:	UC213
--------------	-------

Housing No.

Housing No.:	FL213
--------------	-------

Weight(kg)(lb)

Weight(kg)(lb):	4.96
-----------------	------