

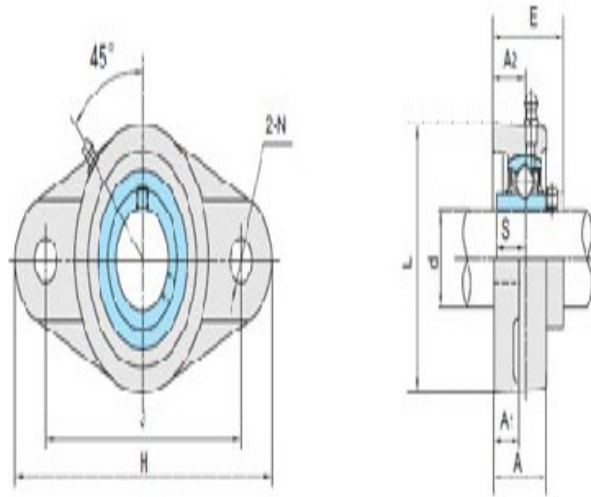
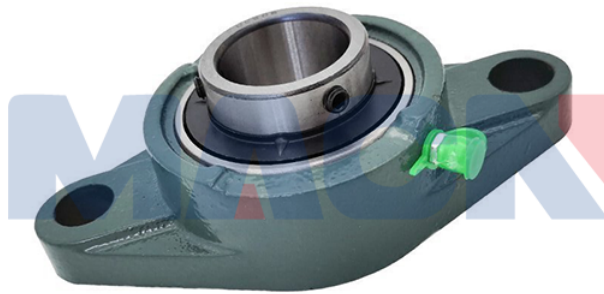
**Model: UCFL211-32**

Shaft Dia.

d (in.):	2
d (mm):	

Dimensions(mm)(inch)

H:	8.8189
J:	7.2441
L:	5.1181
A2:	0.9842
A1:	0.7087
A:	1.6929
N:	0.7480
E:	2.2992
S:	0.8740



UCFL2

Unit No.

Unit No.:	UCFL211-32
-----------	------------

Bolt Used (mm) (in.)

Bolt Used (mm) (in.):	5/8
-----------------------	-----

Bearing No.

Bearing No.:	UC211-32
--------------	----------

Housing No.

Housing No.:	
--------------	--

Weight(kg)(lb)

Weight(kg)(lb):	
-----------------	--