

Model: UCFL211

Shaft Dia.

d (in.):	
d (mm):	55

Dimensions(mm)(inch)

H:	224
J:	184
L:	130
A2:	25
A1:	18
A:	43
N:	19
E:	58.4
S:	22.2

Unit No.

Unit No.:	UCFL211
-----------	---------

Bolt Used (mm) (in.)

Bolt Used (mm) (in.):	M16
-----------------------	-----

Bearing No.

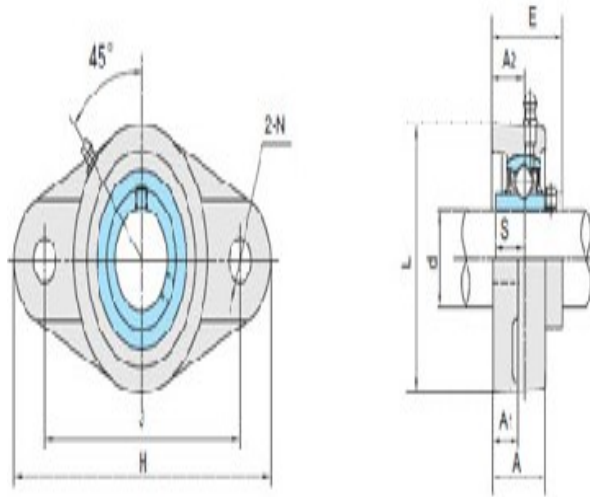
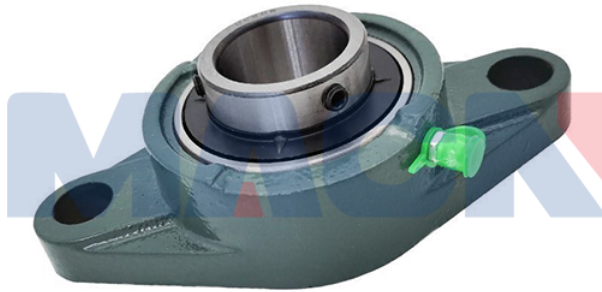
Bearing No.:	UC211
--------------	-------

Housing No.

Housing No.:	FL211
--------------	-------

Weight(kg)(lb)

Weight(kg)(lb):	3.10
-----------------	------



UCFL2