

**Model: UCFL209-27**

Shaft Dia.

d (in.):	111/16
d (mm):	

Dimensions(mm)(inch)

H:	7.4016
J:	5.8268
L:	4.2520
A2:	0.8661
A1:	0.6299
A:	1.4961
N:	0.7480
E:	2.0551
S:	0.7480

Unit No.

Unit No.:	UCFL209-27
-----------	------------

Bolt Used (mm) (in.)

Bolt Used (mm) (in.):	5/8
-----------------------	-----

Bearing No.

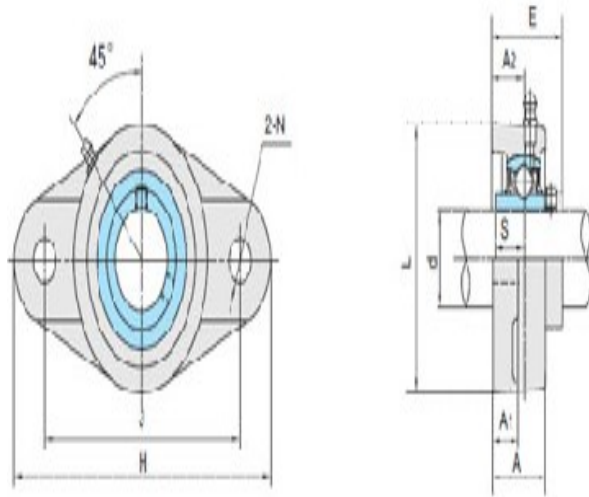
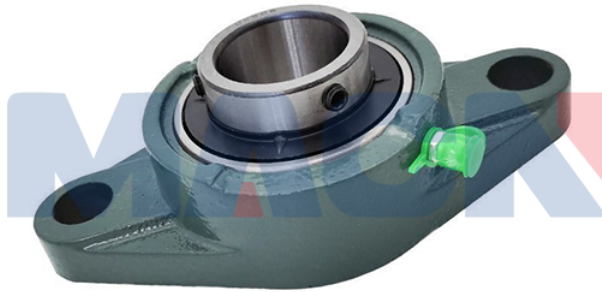
Bearing No.:	UC209-27
--------------	----------

Housing No.

Housing No.:	
--------------	--

Weight(kg)(lb)

Weight(kg)(lb):	4.1
-----------------	-----



UCFL2