

**Model: UCFL207-22**

Shaft Dia.

d (in.): 13/8

d (mm):

Dimensions(mm)(inch)

H: 6.3386

J: 5.1181

L: 3.5433

A2: 0.7480

A1: 0.5906

A: 1.3386

N: 0.6299

E: 1.7480

S: 0.6890

Unit No.

Unit No.: UCFL207-22

Bolt Used (mm) (in.)

Bolt Used (mm) (in.): 9/16

Bearing No.

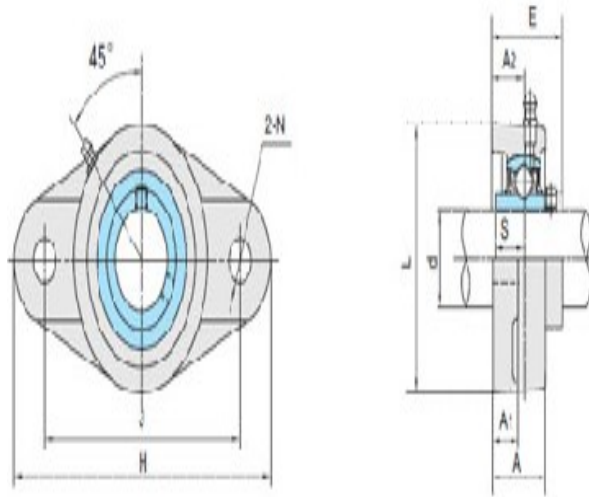
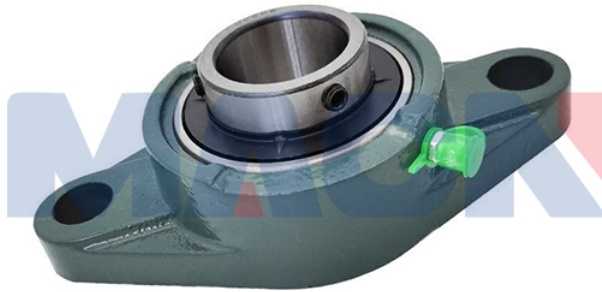
Bearing No.: UC207-22

Housing No.

Housing No.:

Weight(kg)(lb)

Weight(kg)(lb):



UCFL2