

Model: UCFL205-14

Shaft Dia.

d (in.):	7/8
d (mm):	

Dimensions(mm)(inch)

H:	5.1181
J:	3.8976
L:	2.6772
A2:	0.6299
A1:	0.5118
A:	1.0630
N:	0.6299
E:	1.4094
S:	0.5630

Unit No.

Unit No.:	UCFL205-14
-----------	------------

Bolt Used (mm) (in.)

Bolt Used (mm) (in.):	9/16
-----------------------	------

Bearing No.

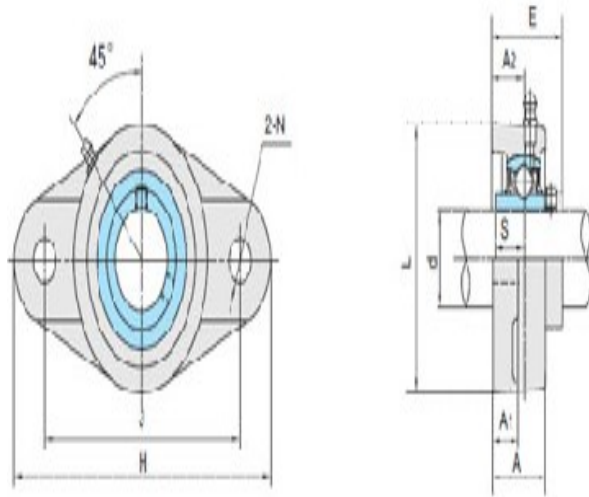
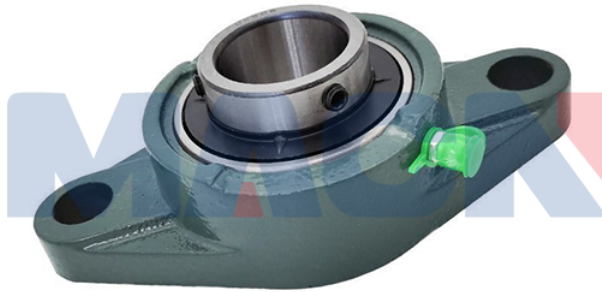
Bearing No.:	UC205-14
--------------	----------

Housing No.

Housing No.:	
--------------	--

Weight(kg)(lb)

Weight(kg)(lb):	
-----------------	--



UCFL2