

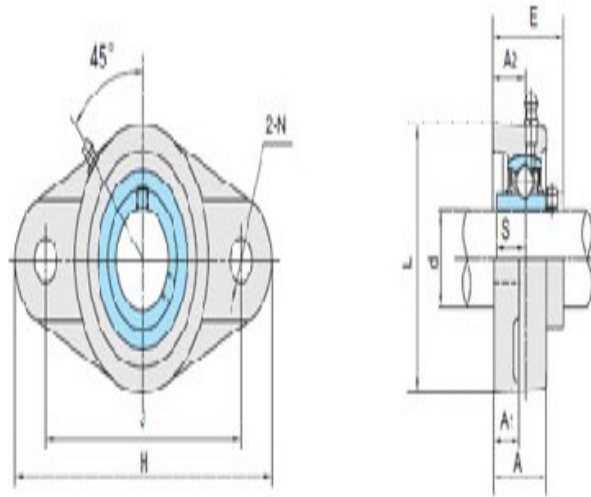
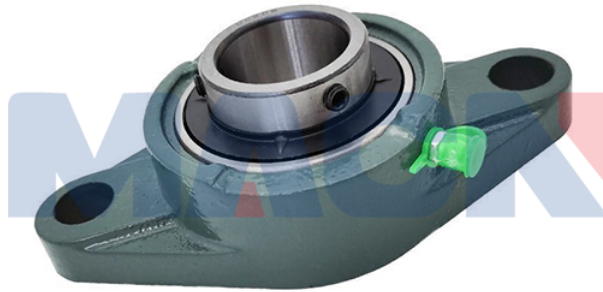
Model: UCFL204

Shaft Dia.

d (in.):	
d (mm):	20

Dimensions(mm)(inch)

H:	113
J:	90
L:	60
A2:	15
A1:	11
A:	25.5
N:	12
E:	33.3
S:	12.7



UCFL2

Unit No.

Unit No.:	UCFL204
-----------	---------

Bolt Used (mm) (in.)

Bolt Used (mm) (in.):	M10
-----------------------	-----

Bearing No.

Bearing No.:	UC204
--------------	-------

Housing No.

Housing No.:	FL204
--------------	-------

Weight(kg)(lb)

Weight(kg)(lb):	0.52
-----------------	------