

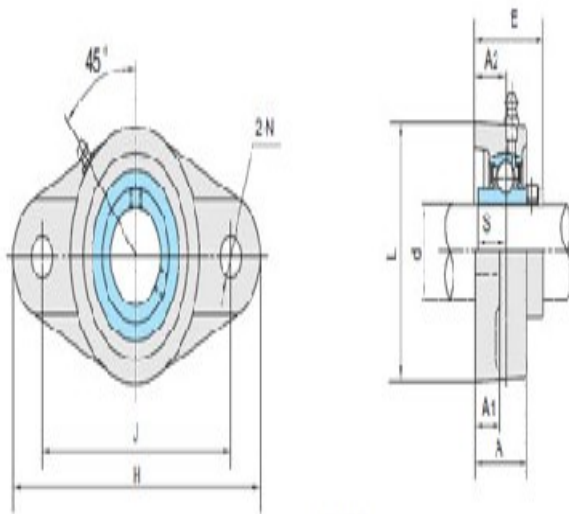
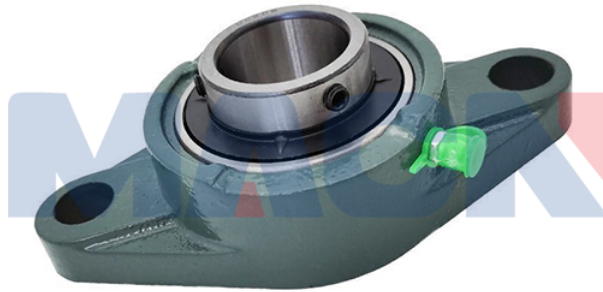
Model: UCFL312

Shaft Dia.

d (in.):	
d (mm):	60

Dimensions(mm)(inch)

H:	270
J:	212
L:	160
A2:	33
A1:	22
A:	56
N:	31
E:	78
S:	26



UCFL3

Unit No.

Unit No.:	UCFL312
-----------	---------

Bolt Used (mm) (in.)

Bolt Used (mm) (in.):	M27
-----------------------	-----

Bearing No.

Bearing No.:	UC312
--------------	-------

Housing No.

Housing No.:	FL312
--------------	-------

Weight(kg)(lb)

Weight(kg)(lb):	5.90
-----------------	------