

Model: UCFL311-34

Shaft Dia.

d (in.): 21/8

d (mm):

Dimensions(mm)(inch)

H: 9.8425

J: 7.7953

L: 5.9055

A2: 1.1811

A1: 0.7874

A: 2.0472

N: 0.9842

E: 2.7953

S: 0.9842

Unit No.

Unit No.: UCFL311-34

Bolt Used (mm) (in.)

Bolt Used (mm) (in.): 7/8

Bearing No.

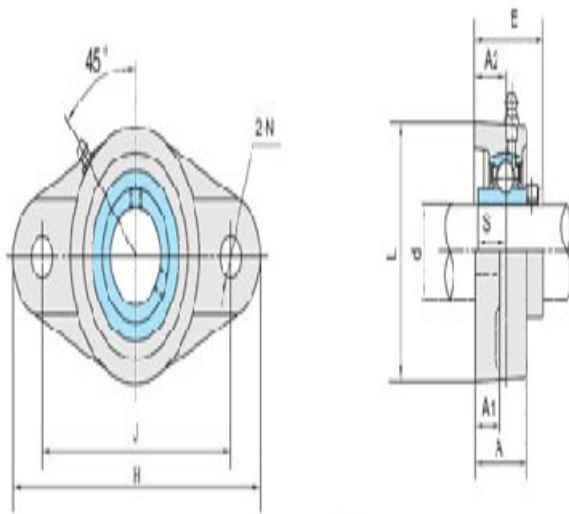
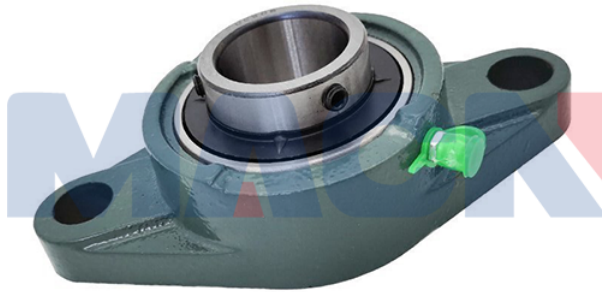
Bearing No.: UC311-34

Housing No.

Housing No.:

Weight(kg)(lb)

Weight(kg)(lb): 1.11



UCFL3